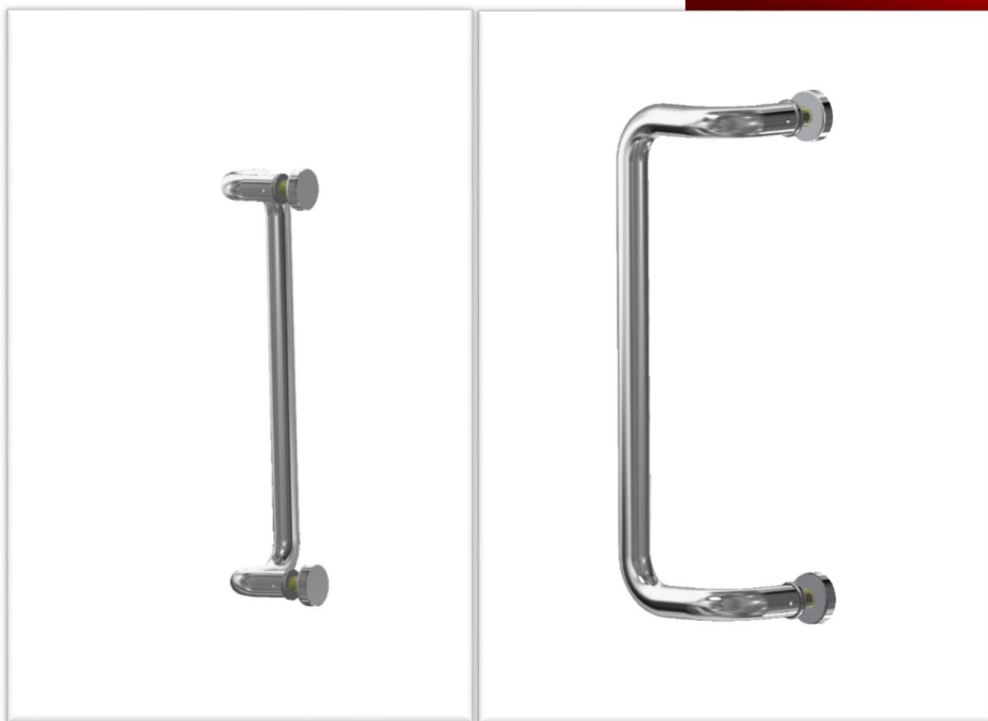


Mounting instruction: PH-600

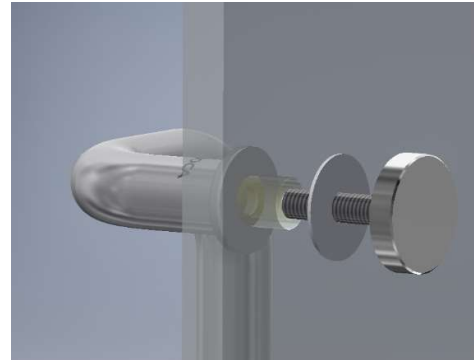


ROCA[®]

Guide for Pull handle with threads



1. Attach the decor washer and the plastic washer.
2. Use the plastic tube if the handle is mounted in a glass door.



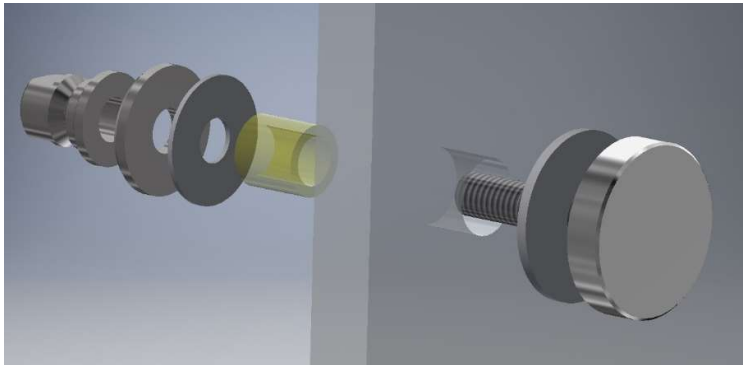
(Cut the screw to desired length if necessary)

1. Place the plastic washer between the glass and head of bolt.
2. Pass the bolt through the door and start tighten it.
3. Repeat same procedure at the other end of the tube.

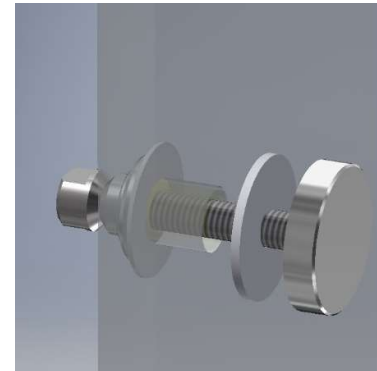


Tighten the bolts, making sure the handle is stuck and does not slip or rattle.

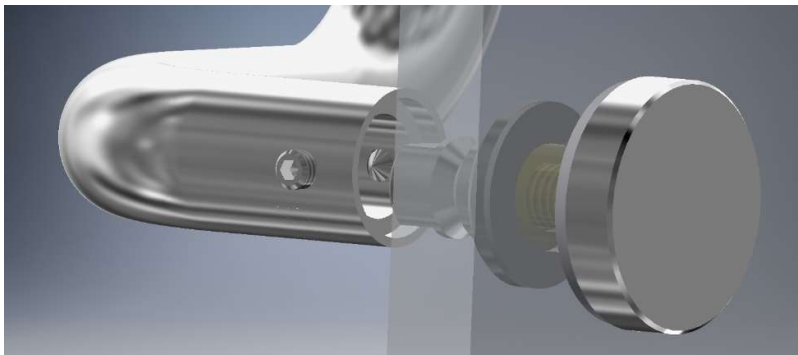
Guide for Pull handle with set screws



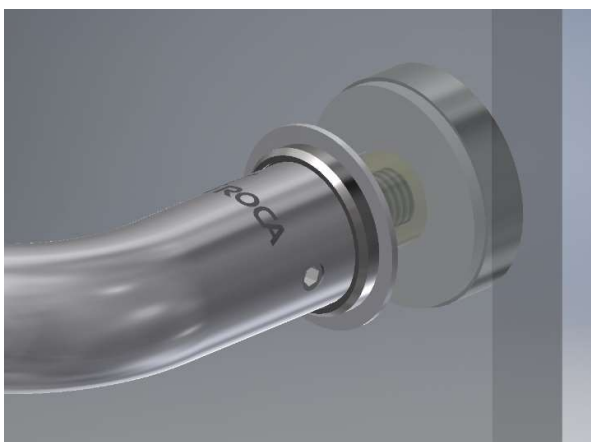
1. Attach the plastic washer, decor washer and threaded insert (pull handle side).
2. Bolt and plastic washer on opposite side.
3. Use the plastic tube if the handle is mounted in a glass door



Tighten the upper and lower bolt and make sure the bolts doesn't slip or rattle.



Losen the set screws before placing the handle.



Tighten the set screws and enjoy the handle