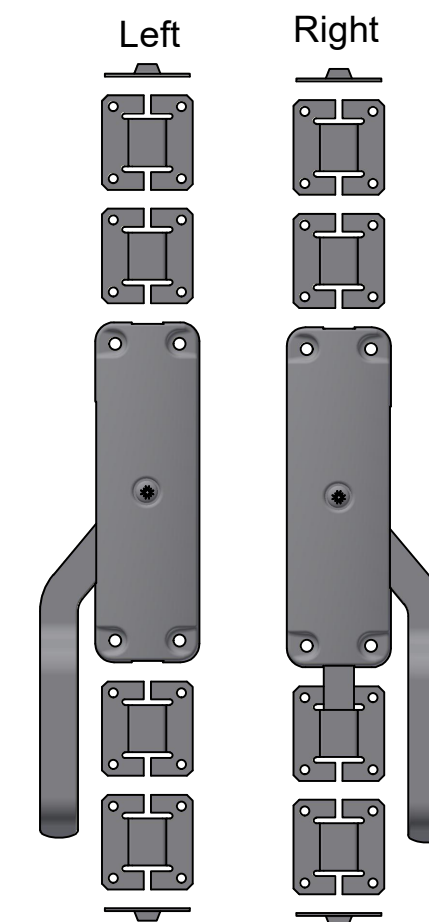


VIEW21 (1 : 4)



Table

| Item no. | Material | Surface treatment | Version |
|----------|----------|-------------------|---------|
| 939150 | Steel | Z/P | Right |
| 939160 | Steel | Z/P | Left |
| 939170 | AISI 316 | Satin | Right |
| 939180 | AISI 316 | Satin | Left |

