

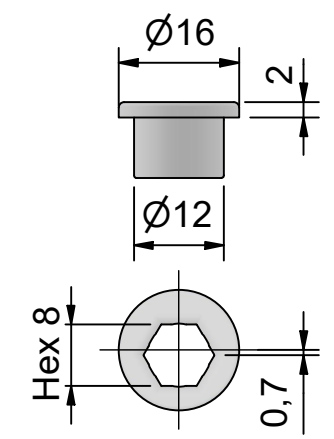
**Different ways of mounting.**

- Use the self-adhesive tape.
- Or use the 2 screws (holes needed in glass).
- The cover will always use tape for fastening.

**Note:** The glass and lever bolt where the tape should be must be absolutely clean. Use the included Tesa Industry Cleaner. Tape has to rest 24 hours before any force is applied.

**Accessory (not included).**

865075 - Frame bushing



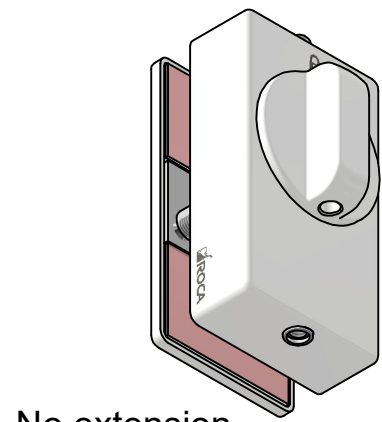
**Lever bolt / Door holder for glass door.**



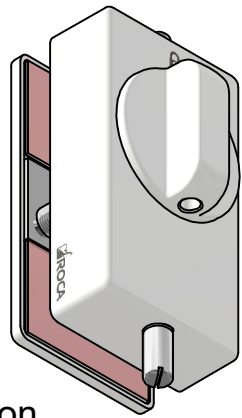
Item no.	Colour
865070	Grey RAL9006
865071	Black RAL9005
865072	White RAL9010

865070-72	Date V1 220118/LW
Description	Item no.
<b>Lever bolt / Door holder</b>	<b>RG-251</b>

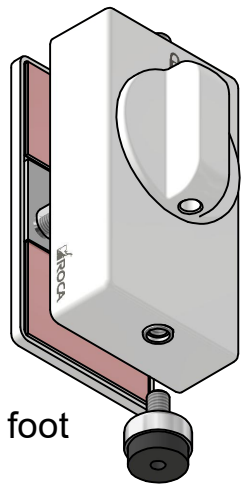
**Different configurations**



No extension

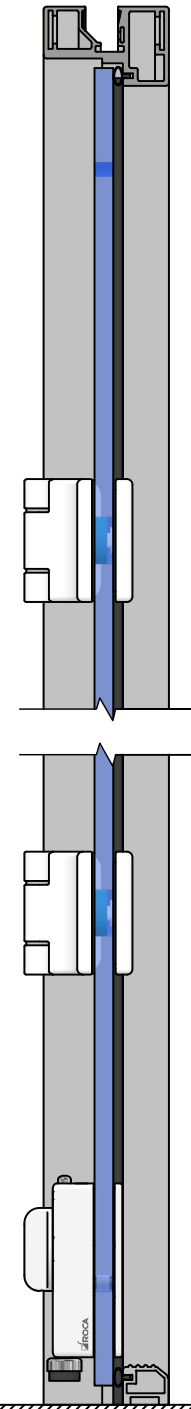


Extension



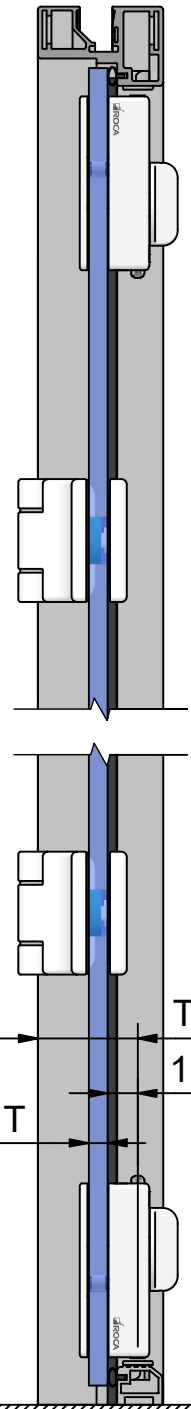
Rubber foot

**Door holder**



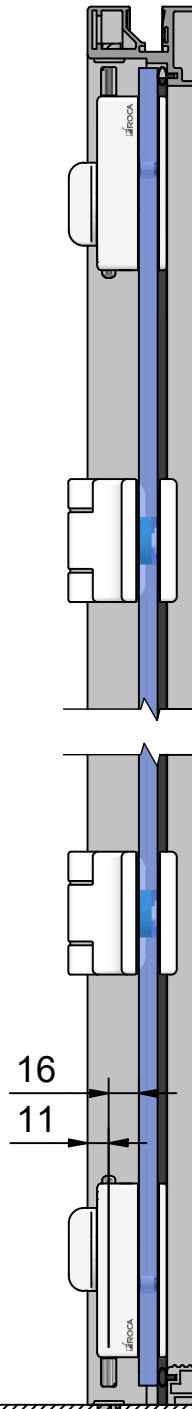
Door holder  
(Rubber foot)

**Lever bolt / Inside**



Lever bolt / Inside  
No extension

**Lever bolt / Outside**



Lever bolt / Outside  
With extension

