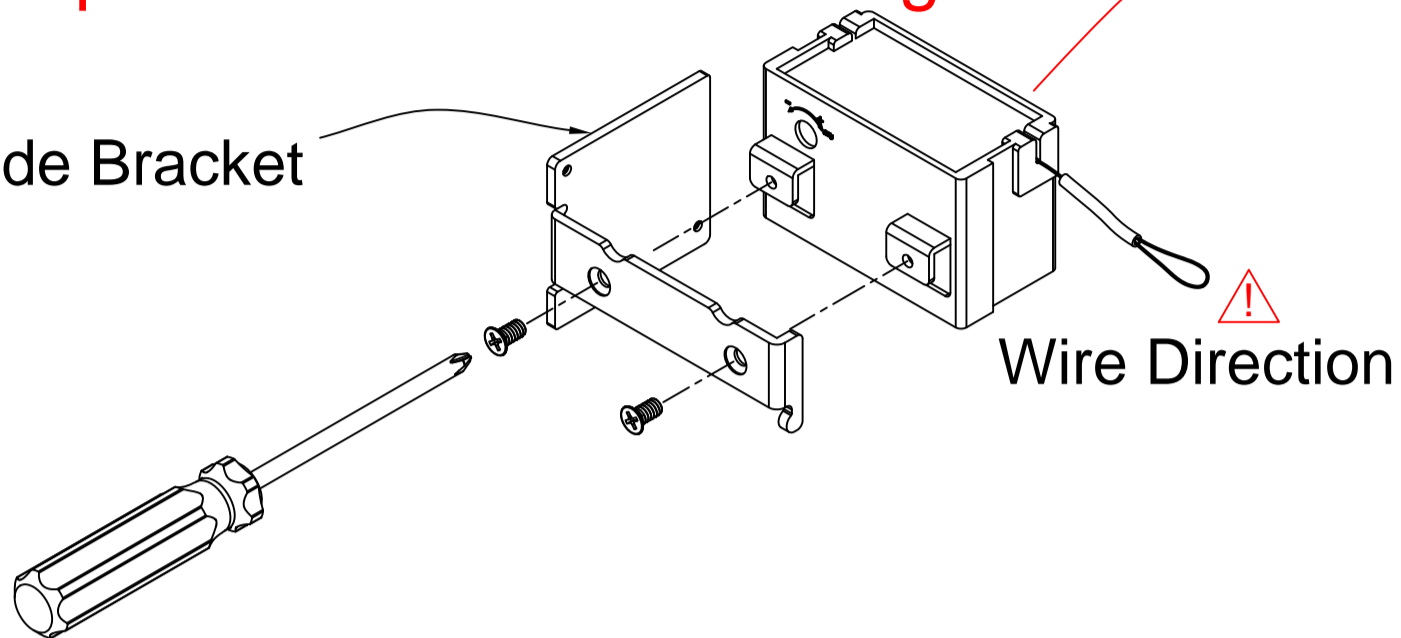


# SEMI-AUTO SOFT CLOSING SLIDING DOOR INSTALLATION PROCEDURES-Type A

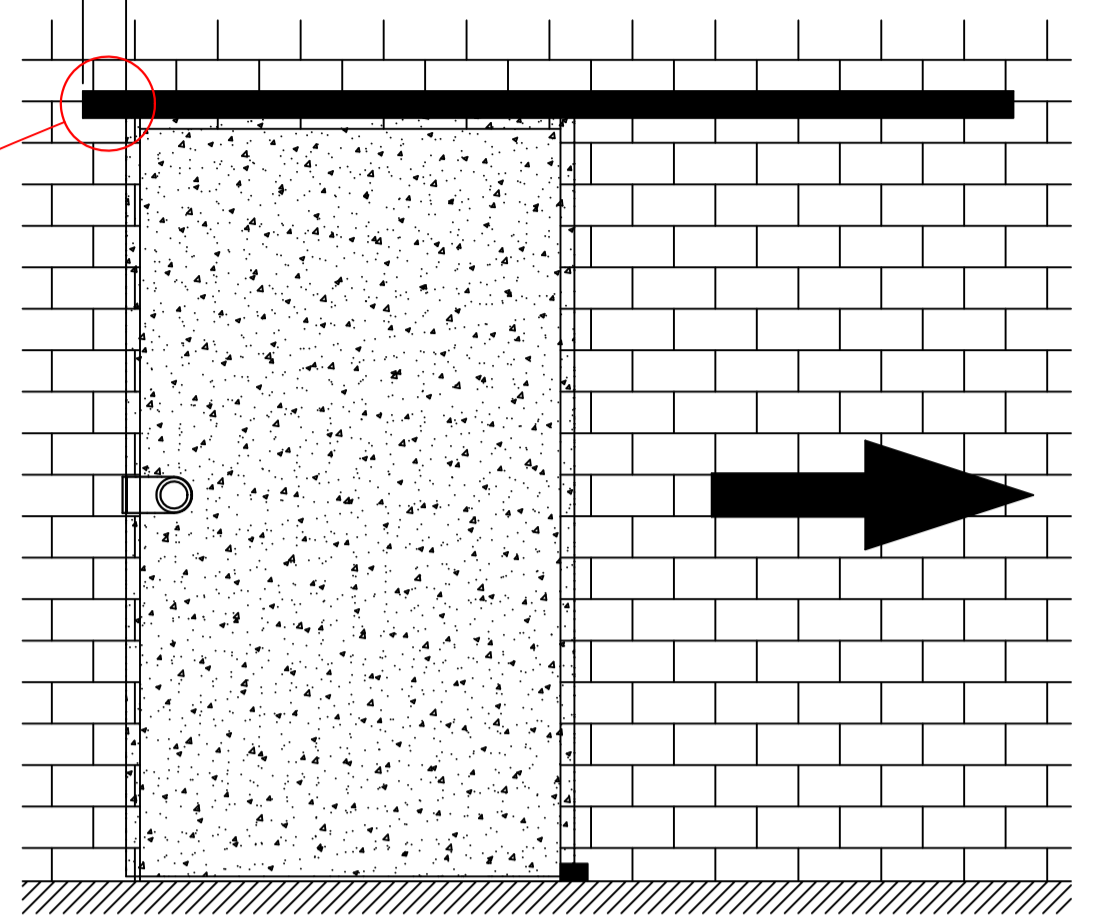
## 1. Pre-Assembling Of Door Closer With Bracket

### A. Door Open Direction :To The Right

⚠ Left Side Bracket



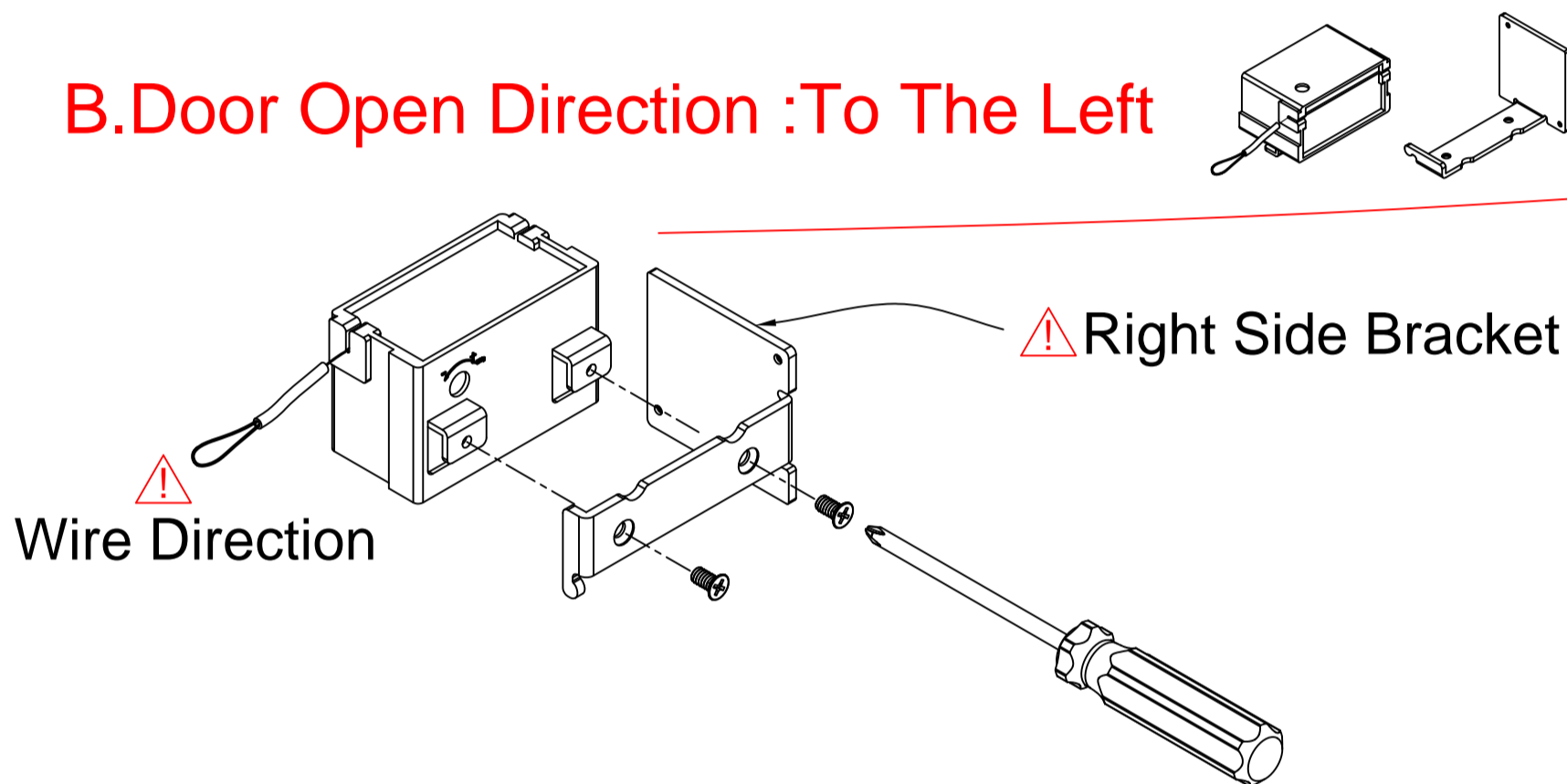
⚠ Leave 93mm Space For Door Closer  
93mm



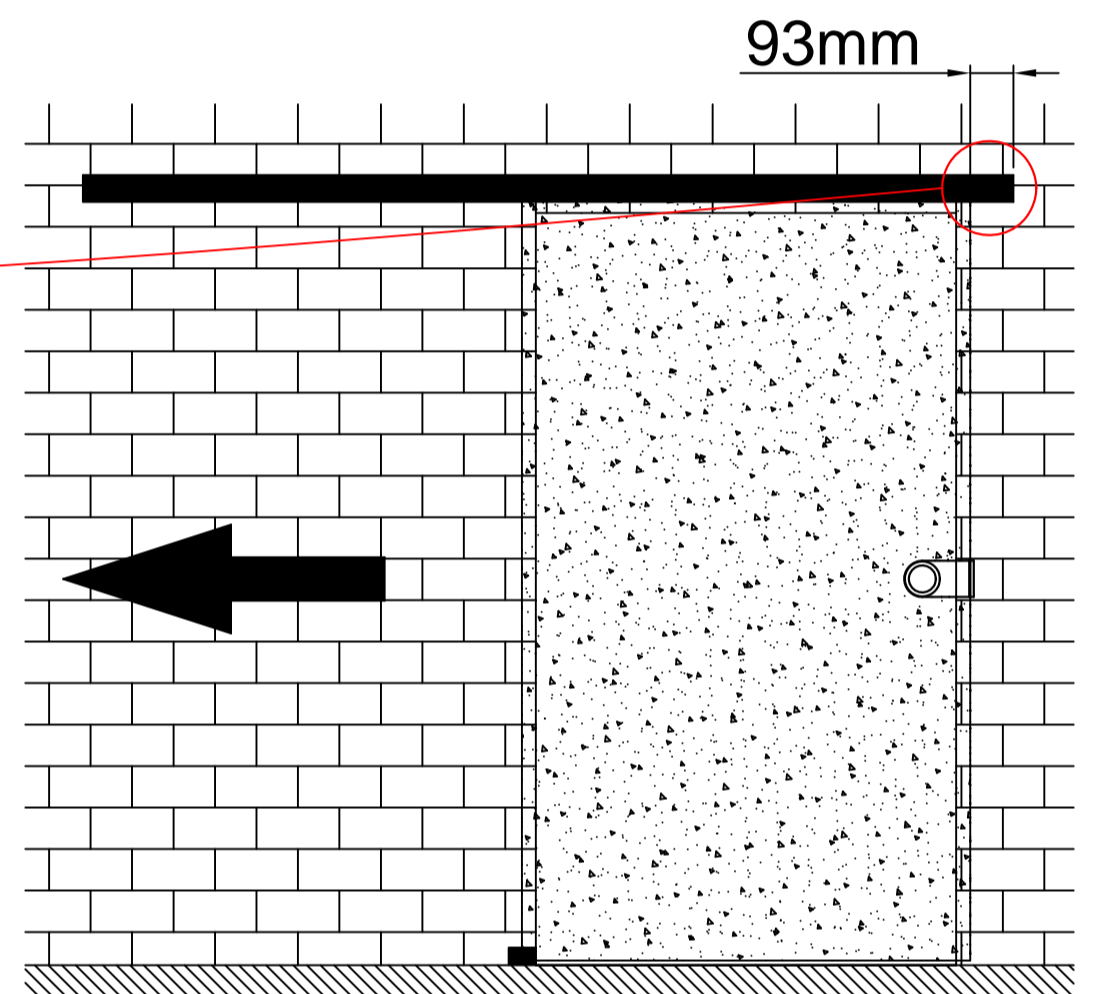
### B. Door Open Direction :To The Left

⚠ Wire Direction

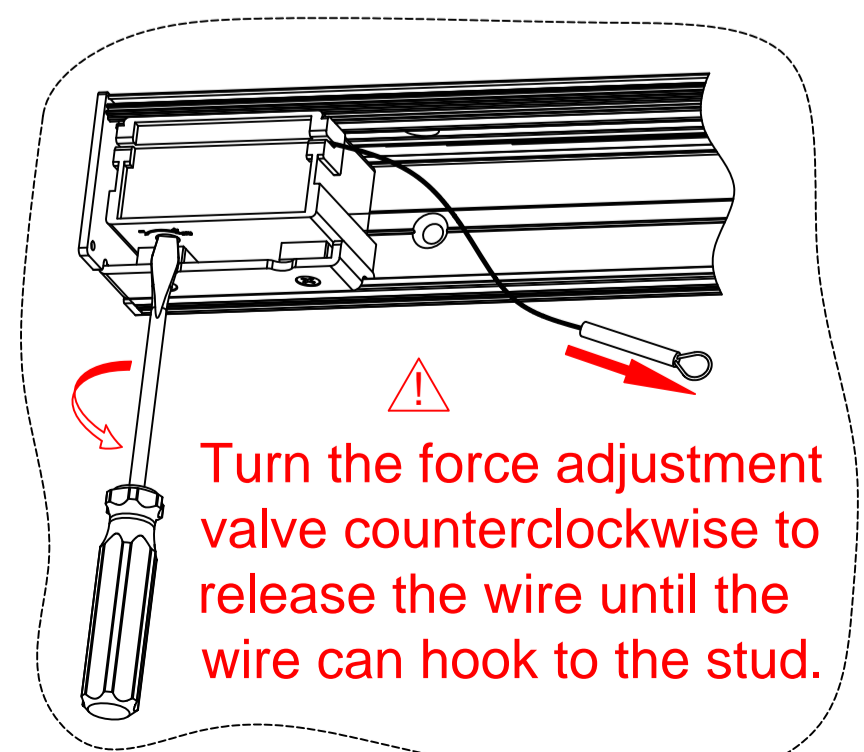
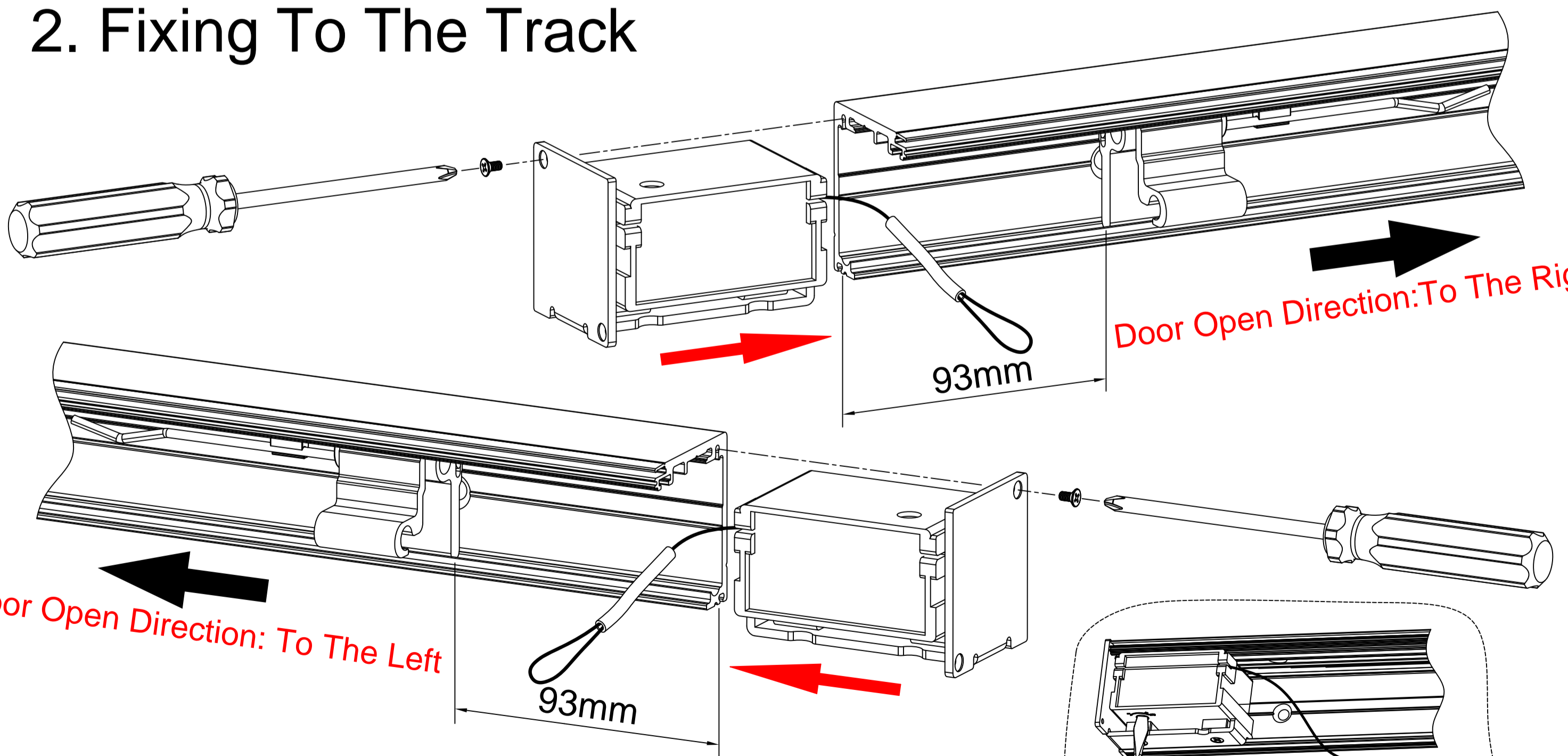
⚠ Right Side Bracket



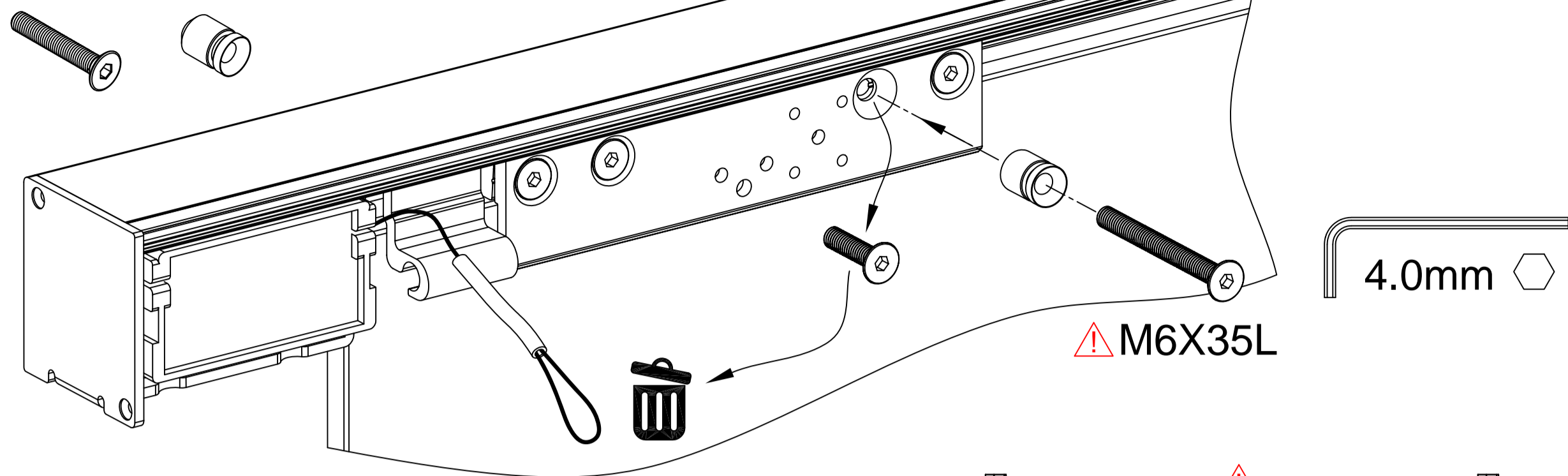
93mm



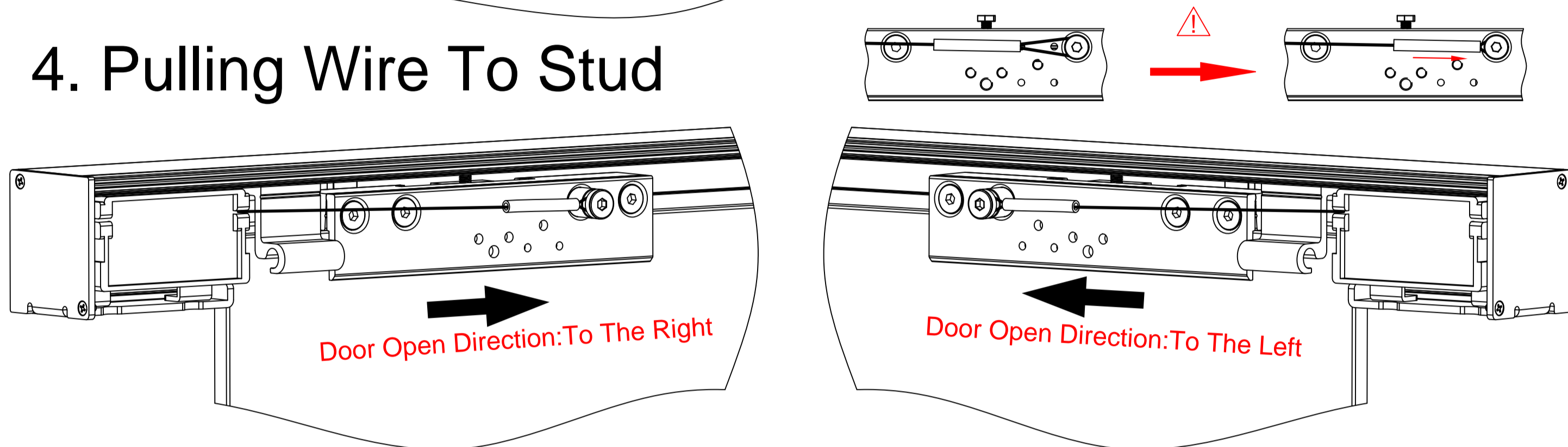
## 2. Fixing To The Track



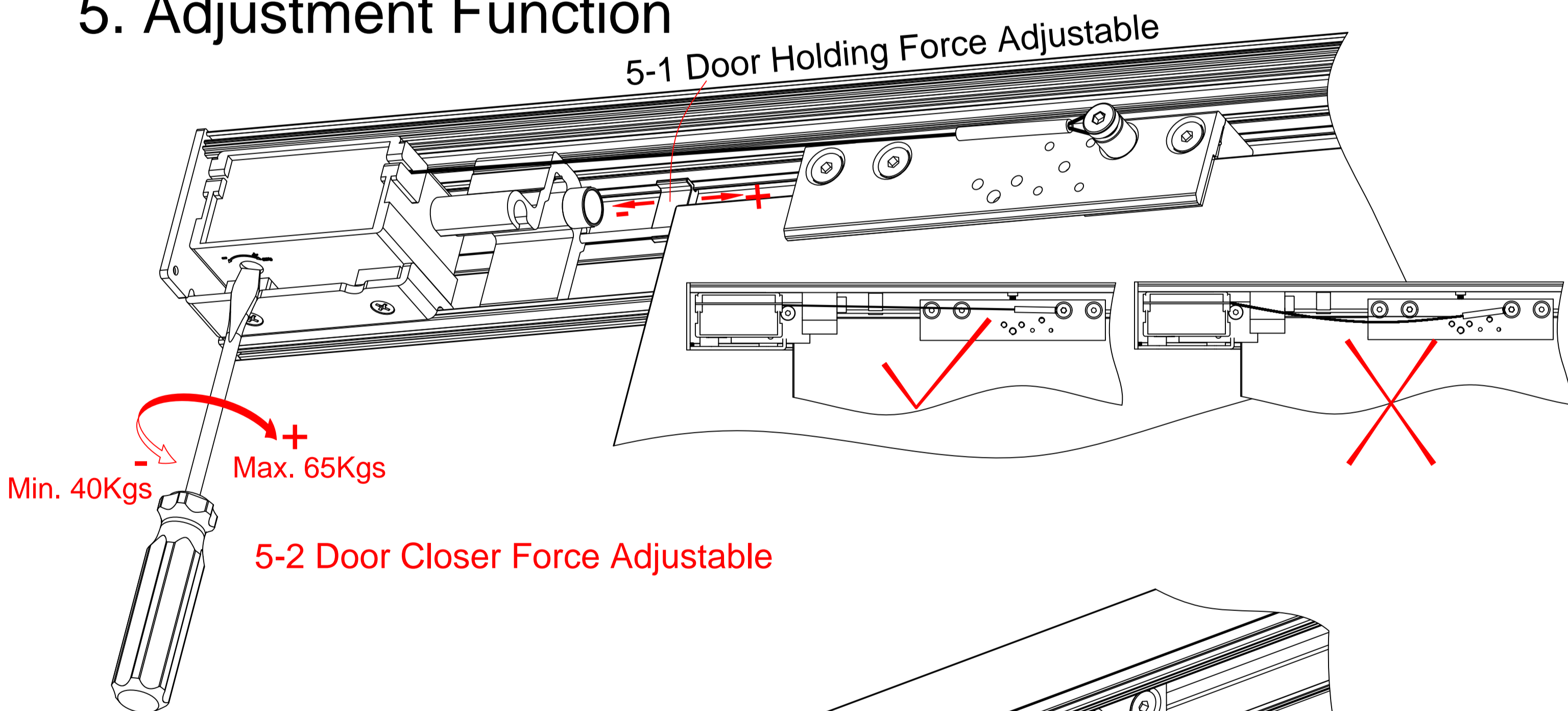
### 3. Fixing The S.S. Stud To Carriage With M6X35L Screw



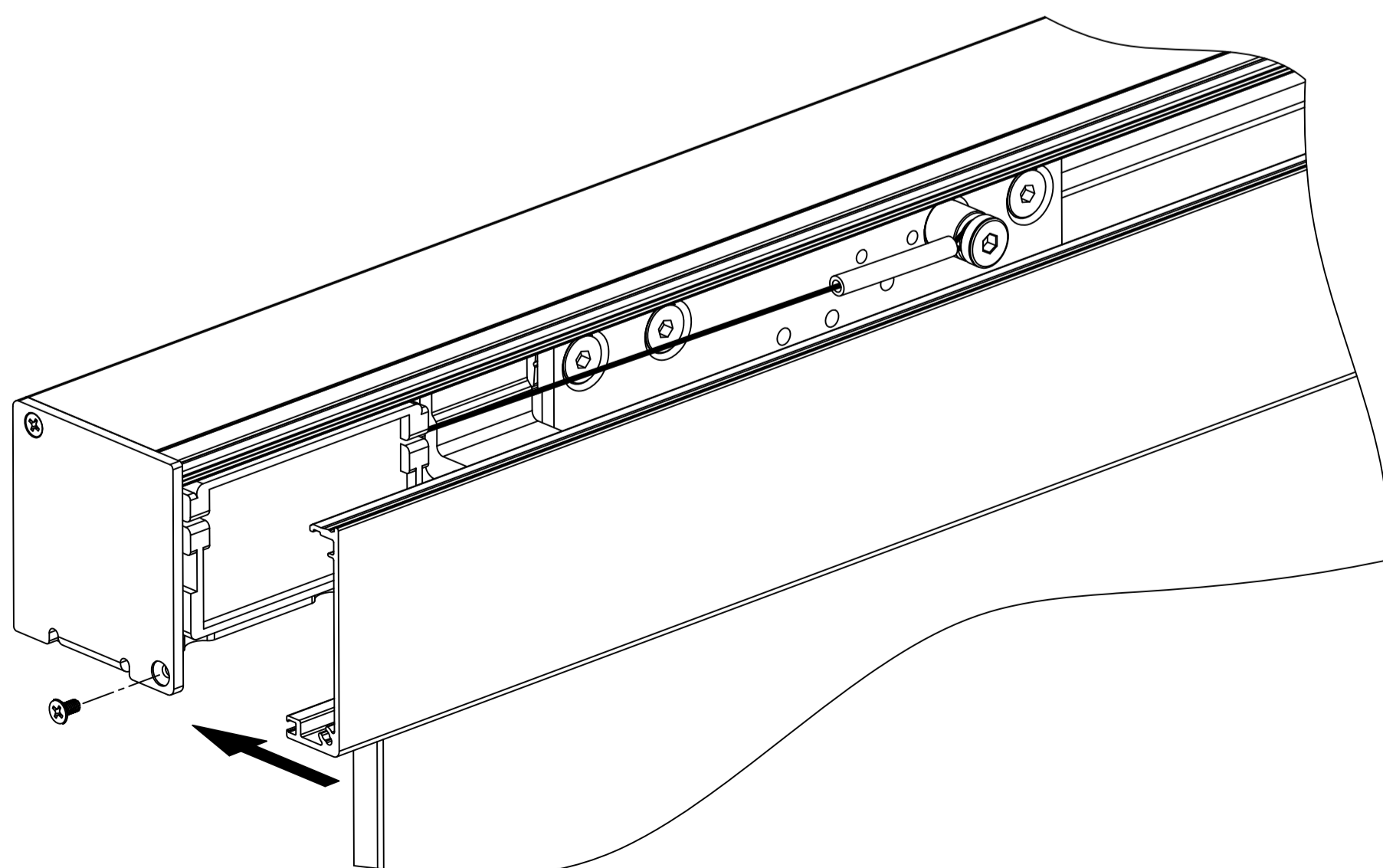
### 4. Pulling Wire To Stud



### 5. Adjustment Function

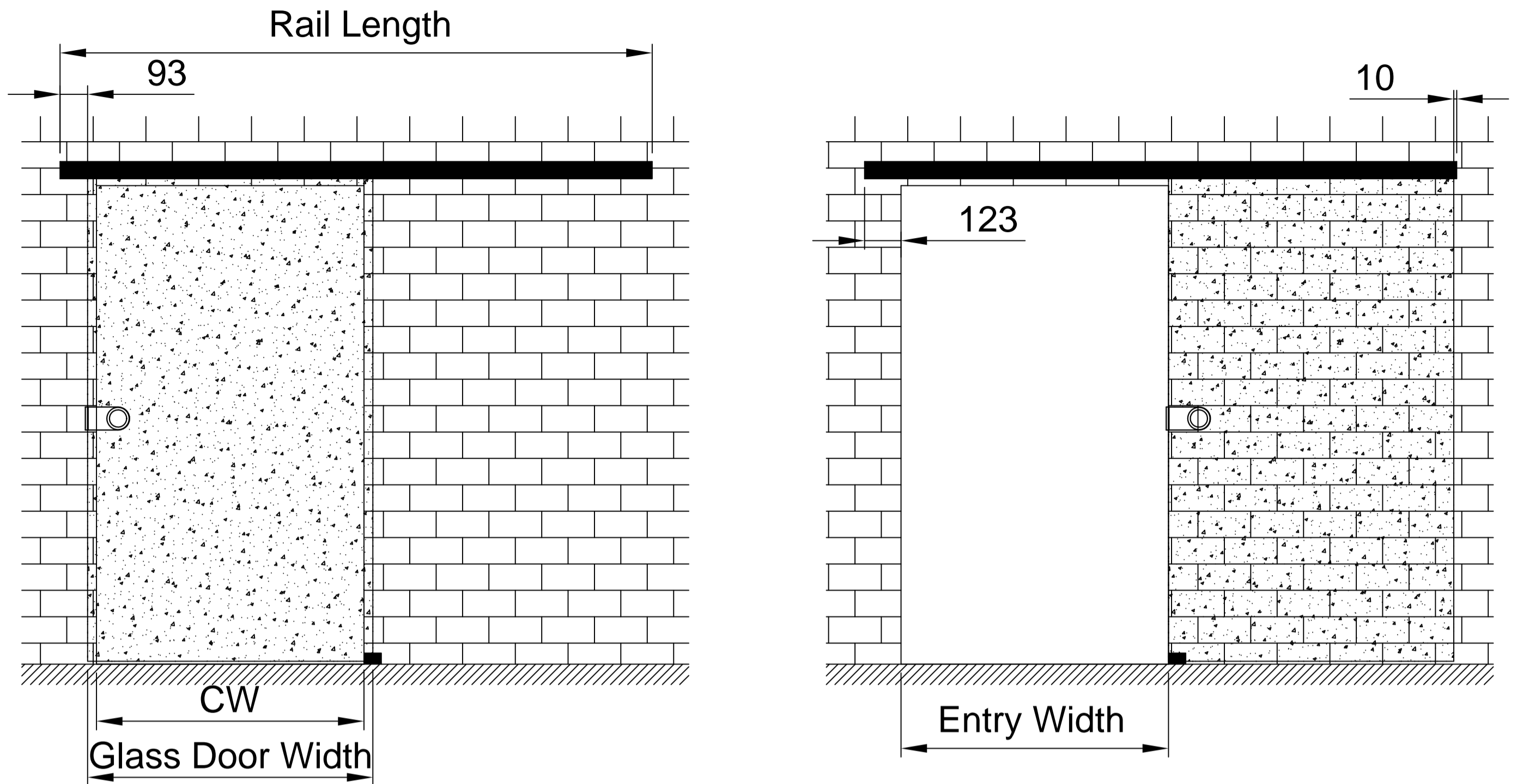


### 6. Front Cover





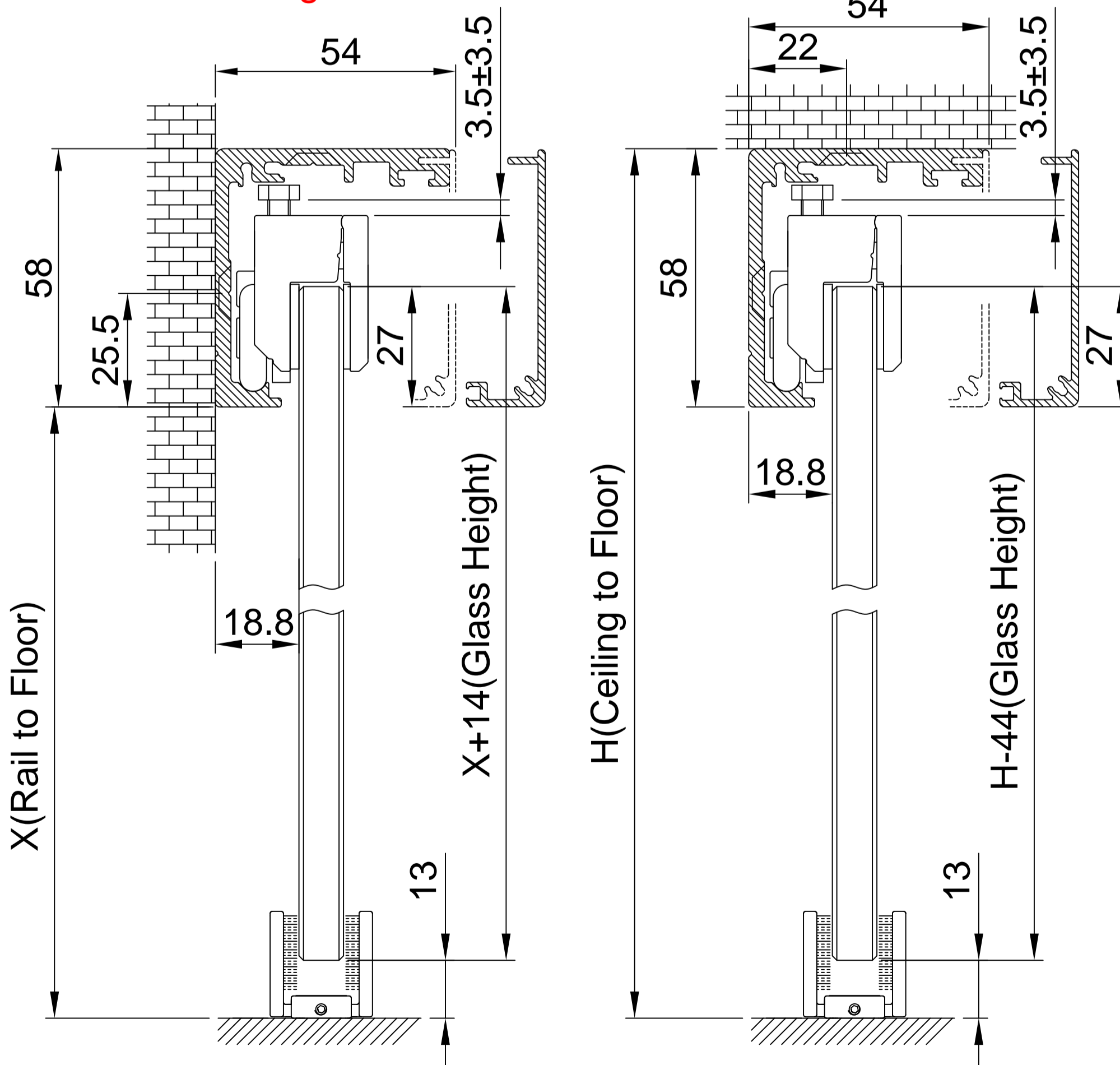
# SEMI-AUTO SOFT CLOSING SLIDING DOOR INSTALLATION PROCEDURES-Type A


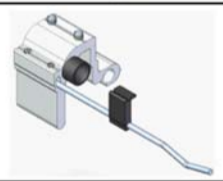


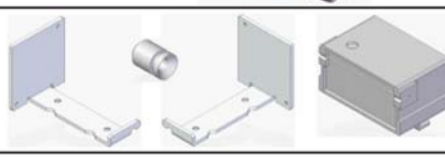



## Determination Of Door Size

- MAX. Rail Length 2.4M
- MAX. Glass Door Weight=65Kg
- ! MIN. Glass Door Width=750mm
- MAX. Height-Width Ratio of The Door is 2.5:1

Standard Rail Length  
2000mm  
CW MAX.=903.5mm  
(Option Rail Length 2400mm,  
CW MAX. 1103.5mm)  
CW=Clear opening width  
Glass Door Width=CW+60  
Rail Length=(2 X CW)+193  
Entry Width=CW



Q'ty	Single door accessories parts	GENEVA
2	Carriage	
2	Stopper	 GENEVA-201
1	End cap	
1	Bottom guide	SD-696 
1 Set	Auto Closing Unit	
1	Sliding handle (Optional)	SD-708 

\* SD-708 Sliding handle requires glass cut out

3 years warranty

20 Years Patent In Many Countries