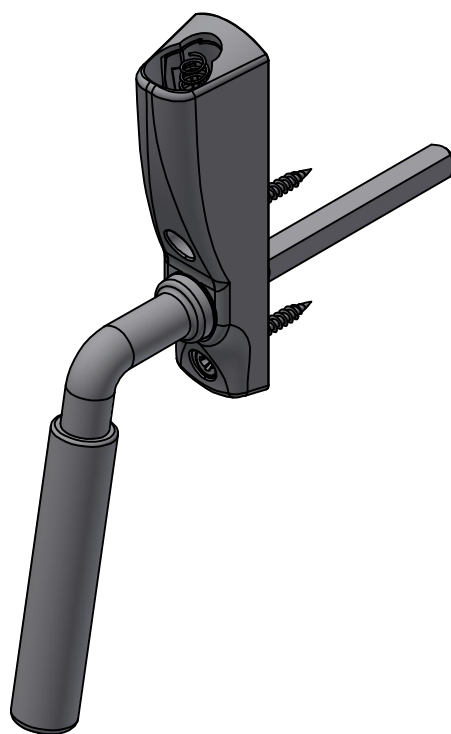
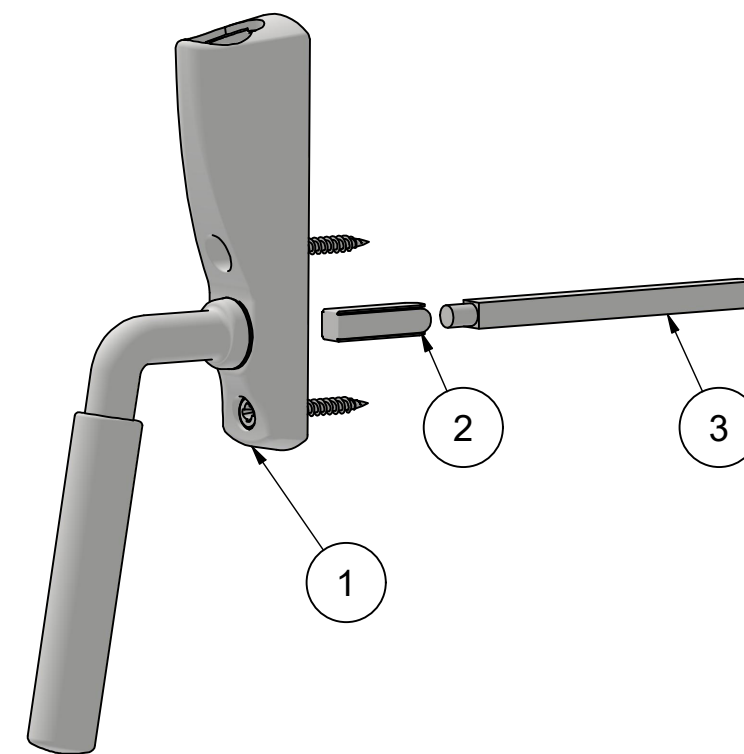
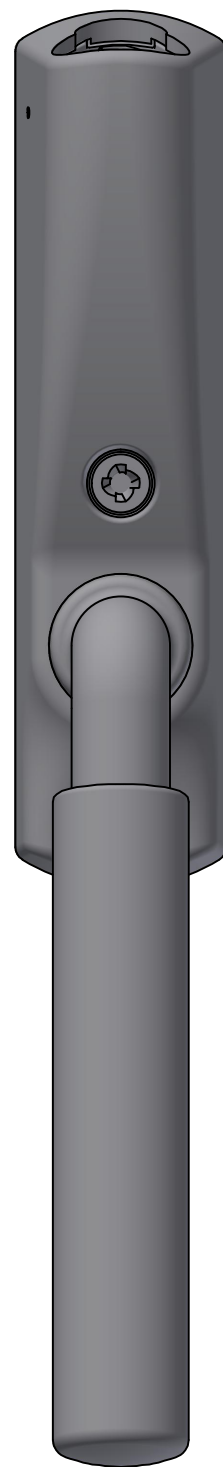
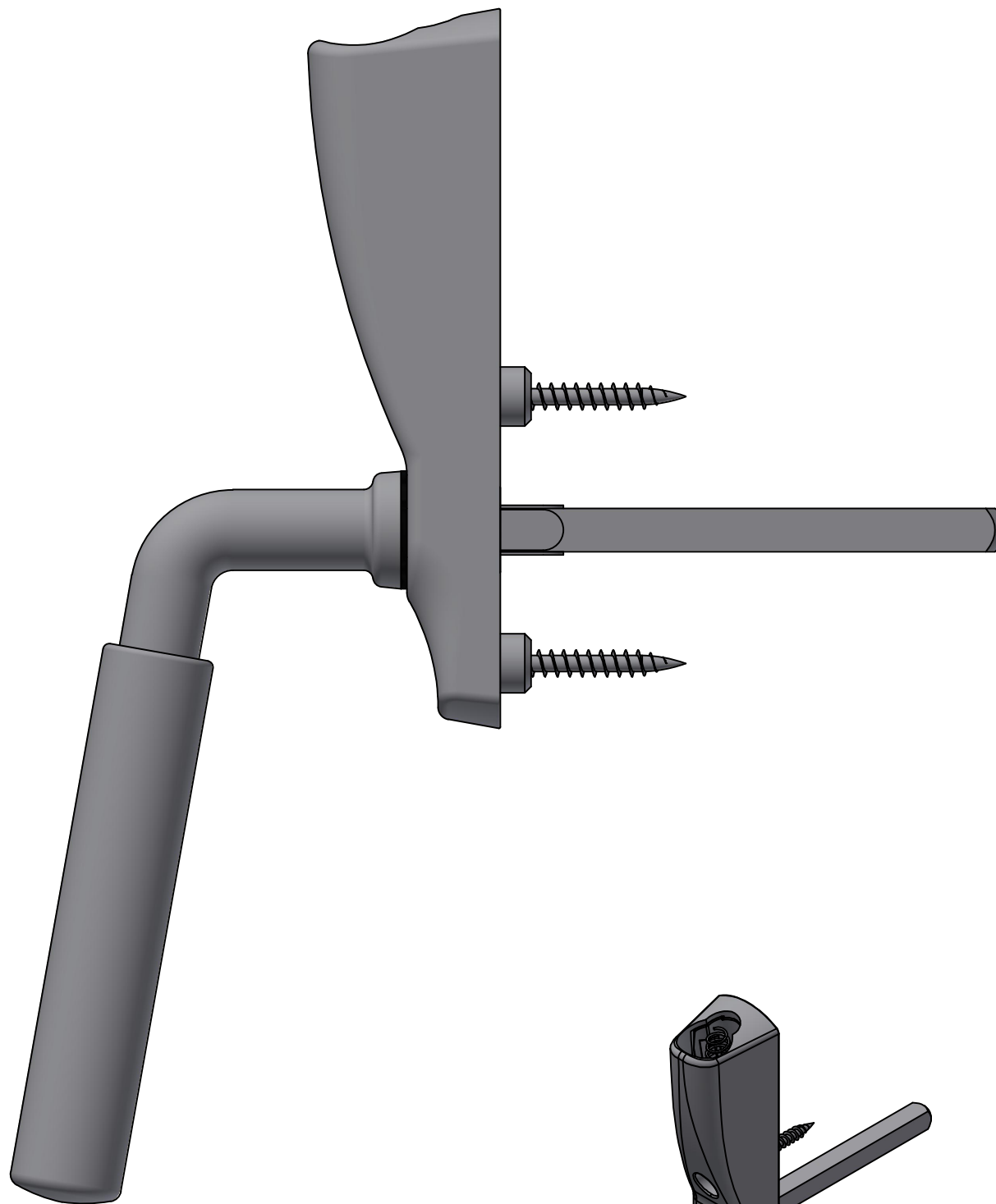


Notice: Unless otherwise stated the following applies

Sharp edges removed	General tol. acc. to ISO 2768-1/m , ISO 2768-2/K				Rough castings ±1,0mm	
Nom. measurement	< 6	< 30	< 120	< 400	< 1000	M-thread 6H/6g - ISO965
Deviation	± 0,1	± 0,2	± 0,3	± 0,5	± 0,8	Tol. for out / inside diameter h11 / H11

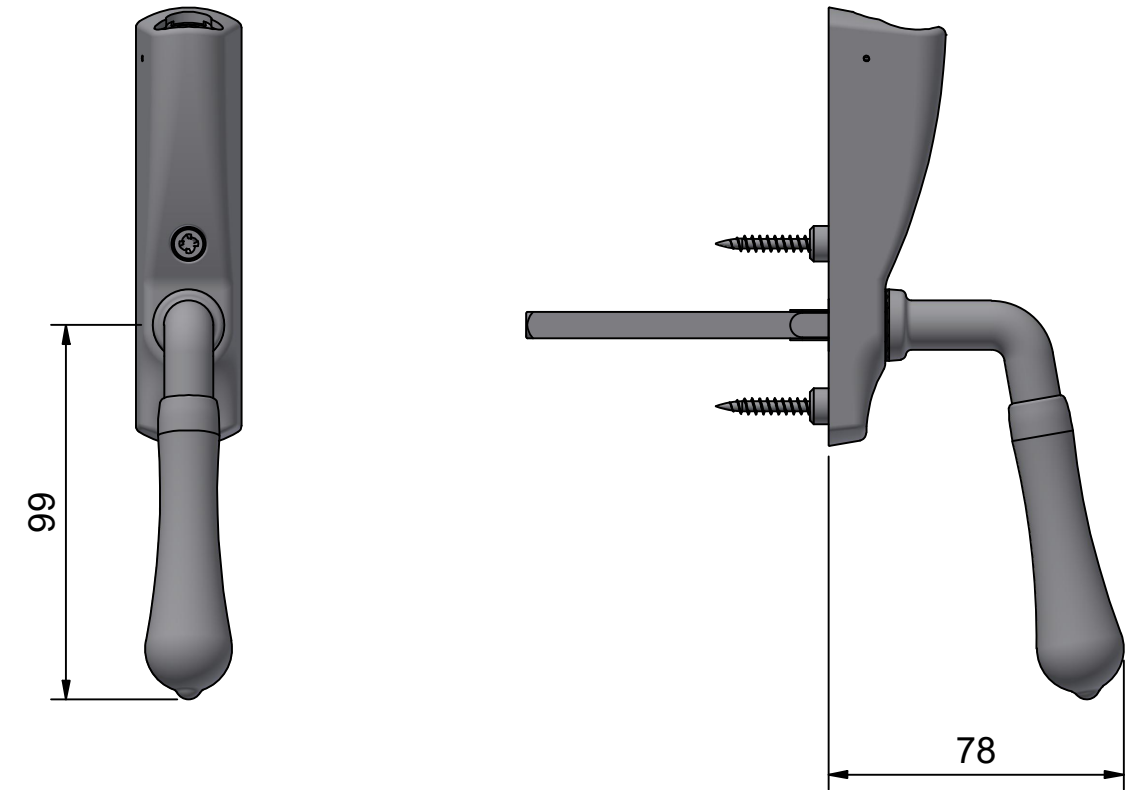
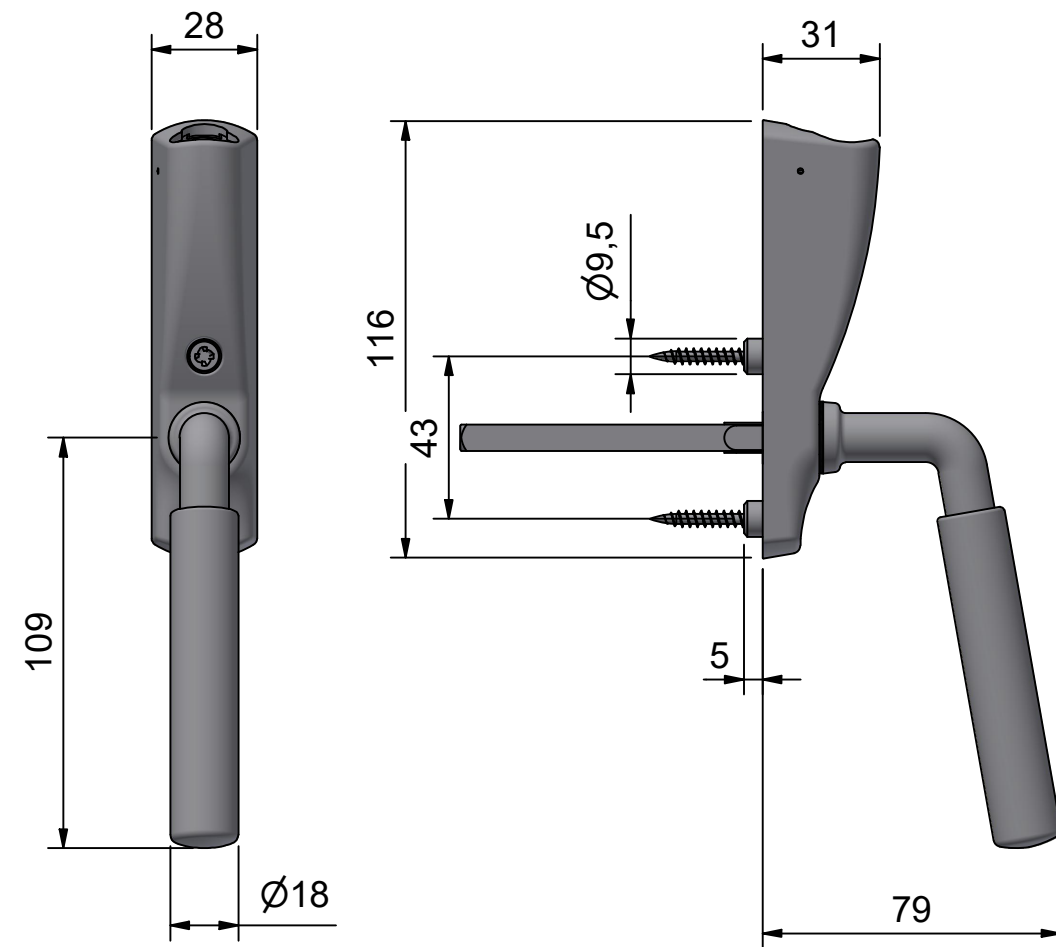


3	1	10000376	WH-SP 7x100mm	
2	1	10000375	WH- SA7	932879
1	1	10000909	WH-P 3010KD S	934306
Pos	Qty	Part number	Description	Item number
Material		Colour		Scale 1 : 1
Surface treatment C/P		Volume N/A		Date 2020-06-10
Design DE	Checked	Replaces	PI	Weight N/A
WH-P 3010KD S 780-CP				Item no. 934360
Status				P
Rev. 1				Drawing no. 10000910

This document is our property and shall not be used for manufacturing or communicated to any other person or company.
 Without our permission be altered, copied, used for manufacturing or communicated to any other person or company.
 info@rocaindustry.com
 www.rocaindustry.com



ROCA

**ROCA**[®]

