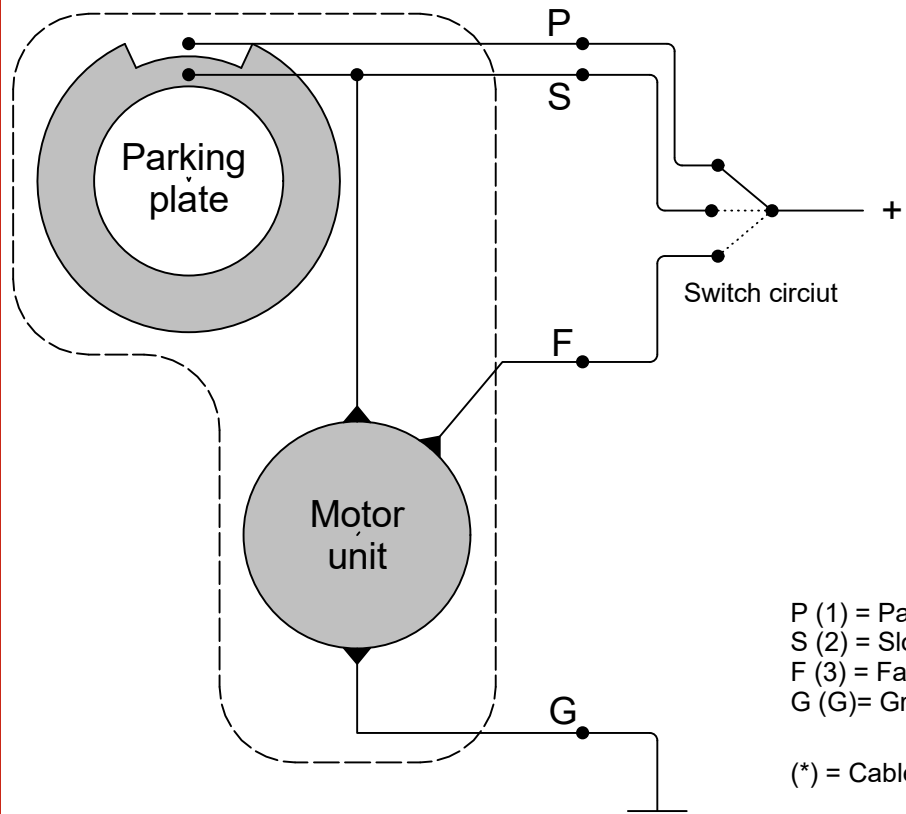
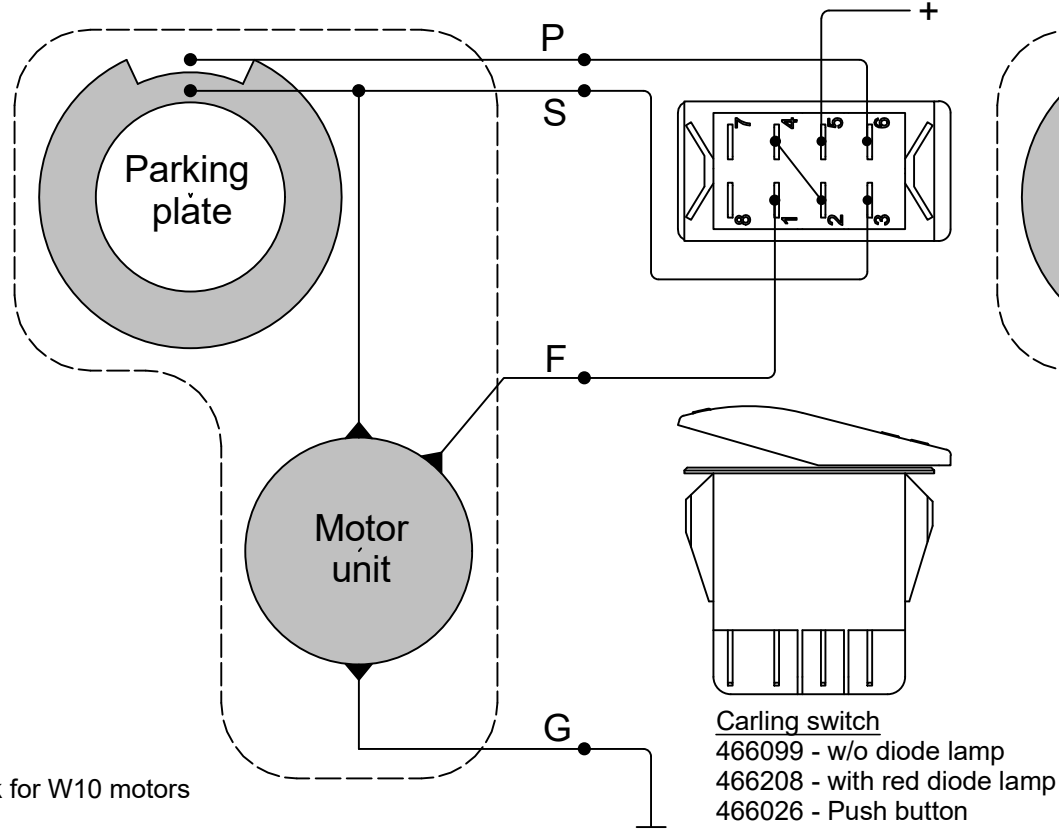


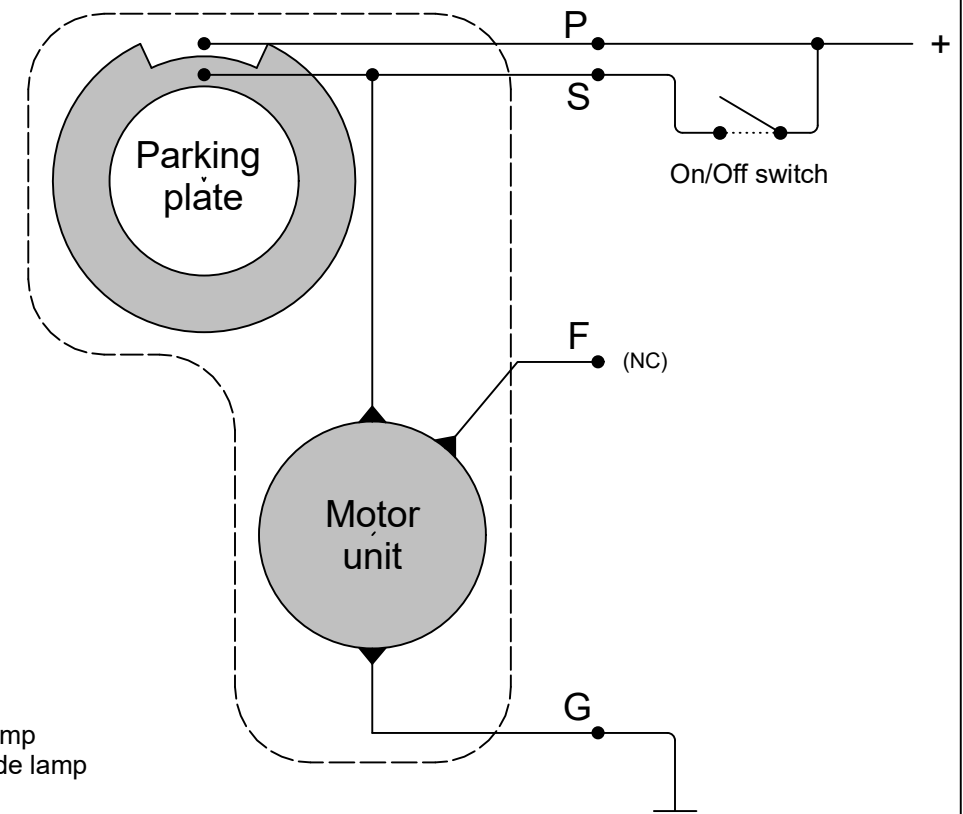
**3 Position switch**  
2 Speed / Parking



**Carling switch (3 position)**  
2 Speed / Parking



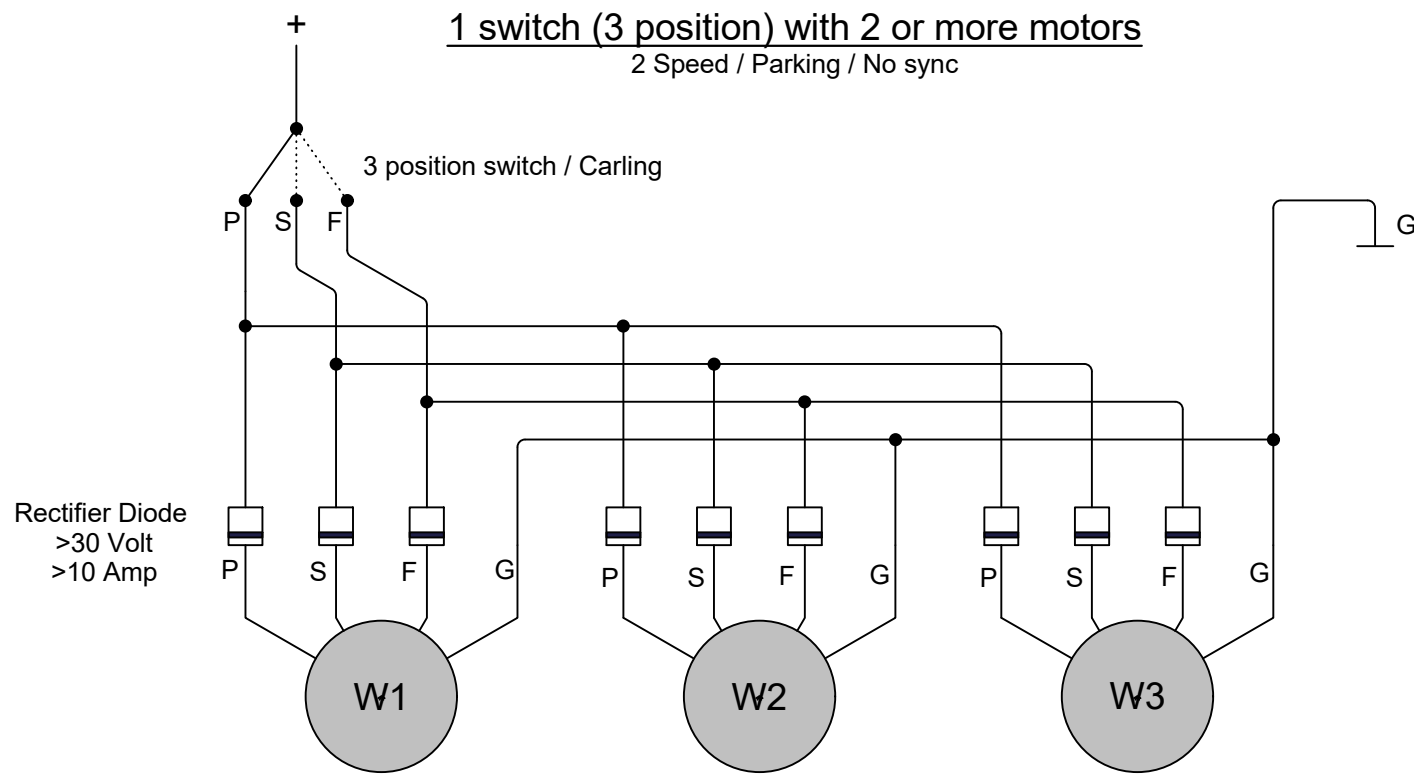
**On/Off switch**  
Slow Speed / Parking



P (1) = Parking  
S (2) = Slow  
F (3) = Fast  
G (G) = Ground  
  
(\*) = Cable mark for W10 motors

**Carling switch**  
466099 - w/o diode lamp  
466208 - with red diode lamp  
466026 - Push button

**1 switch (3 position) with 2 or more motors**  
2 Speed / Parking / No sync



**1 switch (On/Off) with 2 or more motors**  
Slow speed / Parking / No sync

