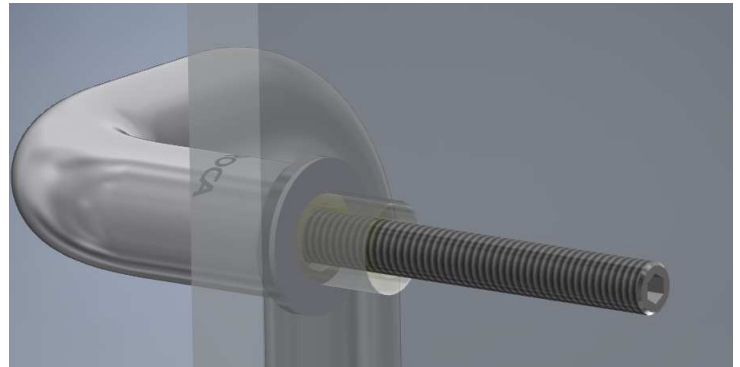
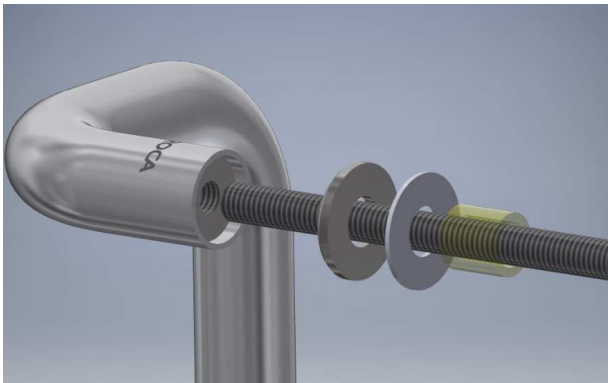


Mounting instruction: PP-600



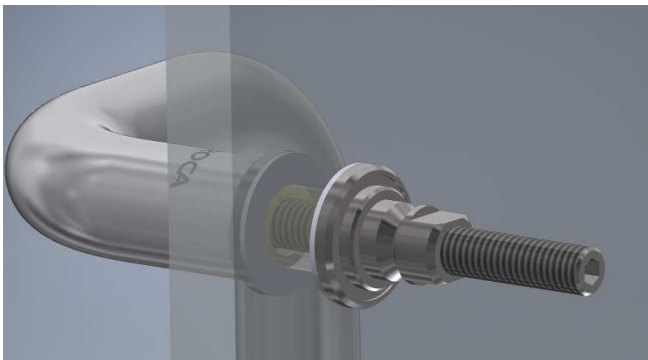
ROCA[®]



(Cut the screw to desired length if necessary)

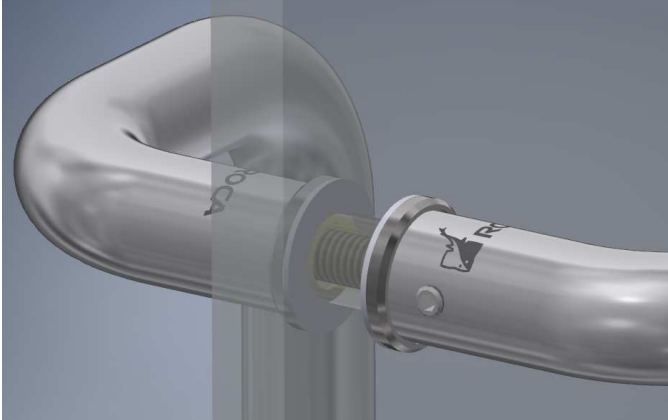
1. Thread the screw into the insert.
2. Attach the decor washer and the plastic washer.
3. Attach the plastic hose if used in glass.

Pass the screw through the holes in the door.



1. Attach the plastic washer and decor washer.
2. Attach the insert.
3. Tighten with the threaded insert; make sure that the handle is fixed. Apply Loctite 243 for a more reliable and lasting fixation.

Place the inside handle. Avoid gap between the decor washer and the handle.



Tighten the set screws. Apply Loctite 243
for a more reliable and lasting fixation.