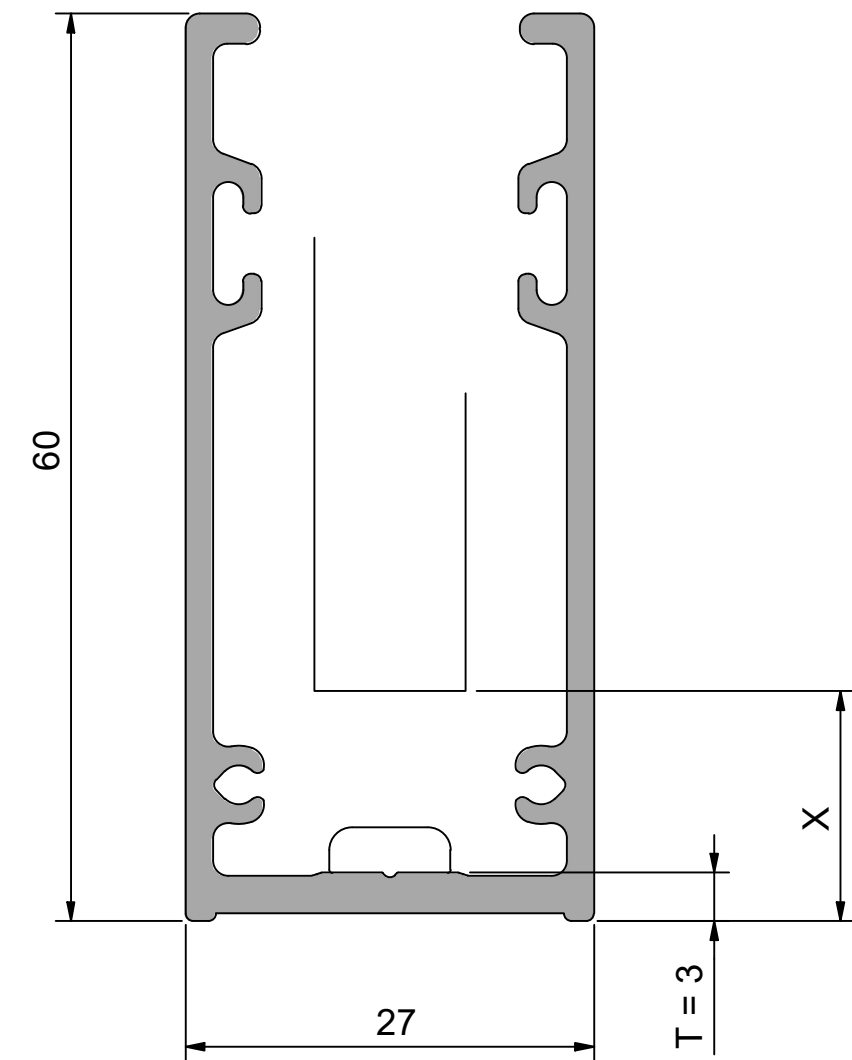


Accessories not included.

RG-504



Deduction for glass:

Floor: $X = T + \text{glazing blocks height}$

Wall or ceiling: $X = T + \text{screw height} + \text{clearance}$

Fits 8/10mm glass

For 12 - 12,76mm glass, use gasket 860308