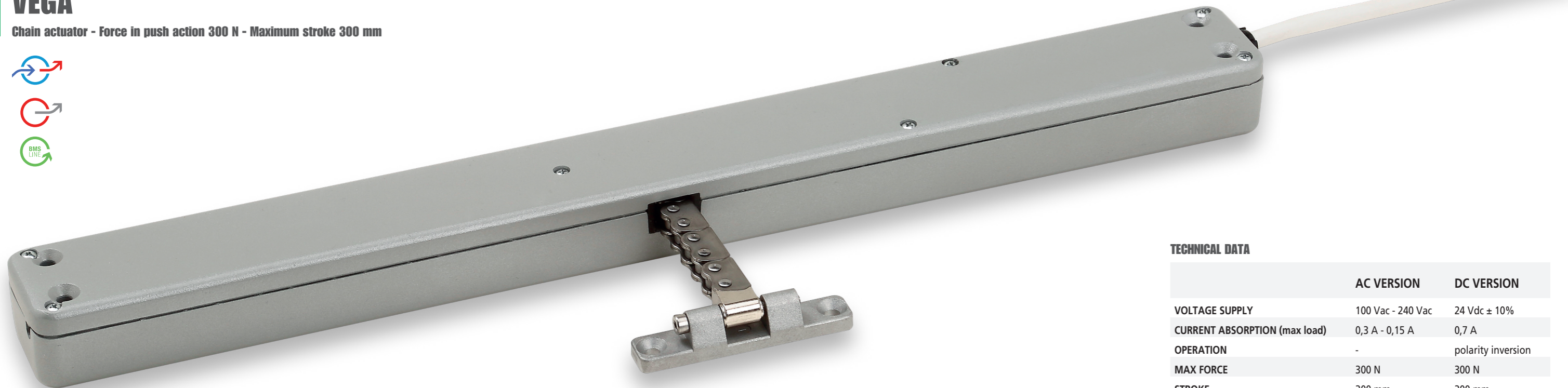


VEGA

Chain actuator - Force in push action 300 N - Maximum stroke 300 mm



MAIN FEATURES

- High performance in small die-cast aluminum casing (45 x 32 mm), powder painted.
- Chain in double stainless steel links.
- Chain exit in central position.
- Quick and easy installation: the manual closing position regulation is not required. The stop in closing position is regulated by an electronic limit switch control.
- Electronic stop in the intermediate positions in case of overload.
- **RF** version has an integrated radio receiver and it is supplied with radio remote control; the transmitter controls simultaneously all actuators within its field of action. Available on request actuators and remote controls with different radio codes.
- **SYNCHRO** versions are equipped with an integrated speed synchronization control board for the installation of more than one actuator on the same vent, avoiding any external control panel: max 4 Synchro Vega DC.
- **F-SIGNAL** versions provide opening and closing feedback signal (free potential, maintained contact), activated by the current limit.
- Suitable for combined installation with the additional locking device **E-LOCK** or **PLUSULTRA** (see related data sheet).

OTHER VERSIONS UPON REQUEST:

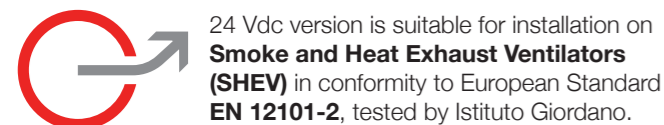
- **VEGA DC** version with **IP32** protection class, for a higher resistance against atmospheric agents.

-   Versions for USA and Canada.

INSTALLATION REMARKS

- The installation without brackets is possible for windows with pivoting hinges only if the vent height is at least 900 mm.
- In case of vents with four-bar hinges, please contact our Technical Dept.
- If installed on PVC windows, the profile has to be reinforced.
- In case of Building Management System control, avoid repetitive commands in the same direction.

For further information contact our Tech. Dept.



24 Vdc version is suitable for installation on **Smoke and Heat Exhaust Ventilators (SHEV)** in conformity to European Standard **EN 12101-2**, tested by Istituto Giordano.



The Vega BMSline version is fully programmable (stroke, speed, force, ...); different scenarios are selectable with a connection to a computer through dedicated software. See BMSline section.

TECHNICAL DATA

	AC VERSION	DC VERSION
VOLTAGE SUPPLY	100 Vac - 240 Vac	24 Vdc ± 10%
CURRENT ABSORPTION (max load)	0,3 A - 0,15 A	0,7 A
OPERATION	-	polarity inversion
MAX FORCE	300 N	300 N
STROKE	300 mm	300 mm
SPEED	~9 mm/s	~9 mm/s
LOCKING FORCE	3000 N*	3000 N*
DUTY CYCLE	50%	50%
PARALLEL CONNECTION	Yes	Yes
LIMIT STOP	Electronic	Electronic
SAFETY STOP	Electronic	Electronic
PROTECTION CLASS	IP30	IP30

*Installation without brackets

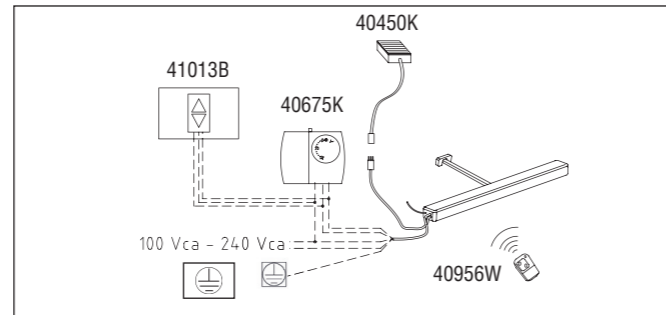
Part No. for AC VERSIONS (100 Vac - 240 Vac)

MODEL	SYNCHRO	FEEDBACK	CABLE	COLOUR	PART No.
VEGA AC	-	-	1,5 m 3 wires + earth	GREY RAL 9006 BLACK RAL 9005 WHITE RAL 9010	40900K 40901L 40902M
VEGA RF	-	-	1,5 m 4 wires + earth	GREY RAL 9006 BLACK RAL 9005 WHITE RAL 9010	40906Q 40907R 40908S
VEGA RF-RAIN	-	-	2 x 1,5 m cables: 4 wires + earth 3 wires	GREY RAL 9006 BLACK RAL 9005 WHITE RAL 9010	41015D 41016E 41017F

Part No. for DC VERSIONS (24 Vdc ±10%)

MODEL	SYNCHRO	FEEDBACK	CABLE	COLOUR	PART No.
VEGA DC	-	-	1,5 m 2 wires	GREY RAL 9006 BLACK RAL 9005 WHITE RAL 9010	40903N 40904O 40905P
SYNCHRO VEGA DC	Yes	-	3 m 5 wires	GREY RAL 9006 BLACK RAL 9005 WHITE RAL 9010	41122C 41123D 41124E
VEGA DC F-SIGNAL	-	open/close	1,5 m 5 wires	GREY RAL 9006 BLACK RAL 9005 WHITE RAL 9010	41304W 41305X 41306Y
SYNCHRO VEGA DC F-SIGNAL	Yes	open/close	2x 3 m 5 wires - 3 wires	GREY RAL 9006 BLACK RAL 9005 WHITE RAL 9010	41307Z 41308A 41309B

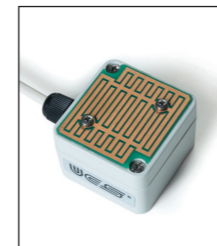
NOTE: brackets not included - to be ordered separately



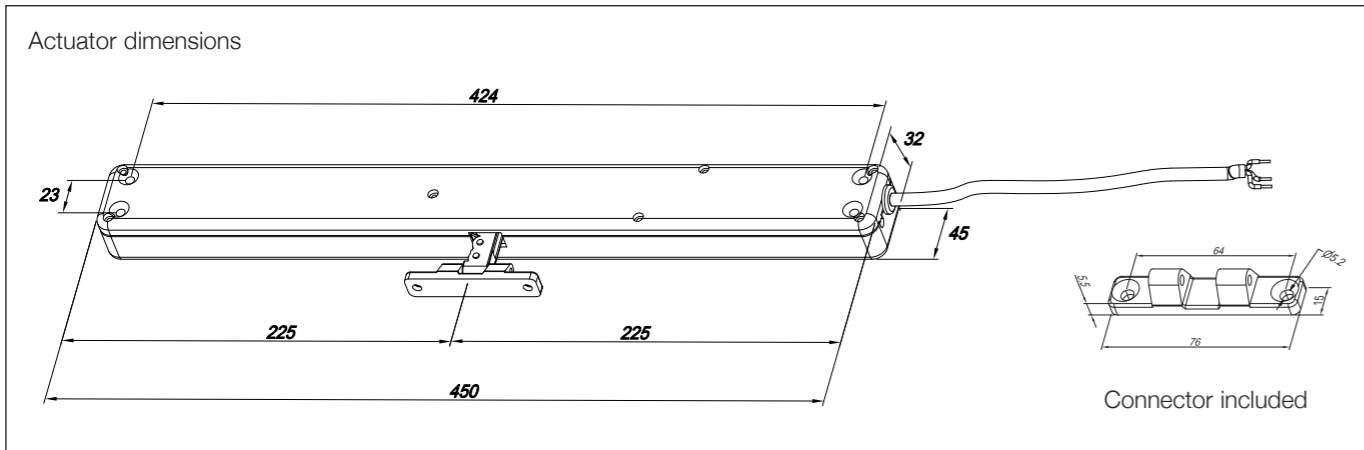
For a more detailed wiring layout see the manual of instructions



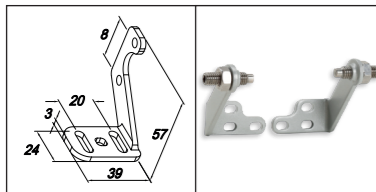
Radio control supplied with VEGA RF and VEGA RF-RAIN ACTUATOR part No. 40956W



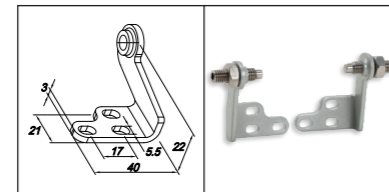
Rain sensor RS part No. 40450K



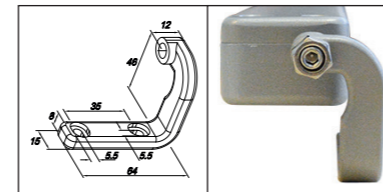
Accessories



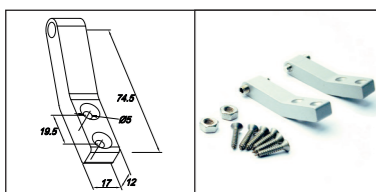
Long slim bracket kit
GREY RAL 9006 part no. 41898F
BLACK RAL 9005 part no. 41899G
WHITE RAL 9010 part no. 41900H



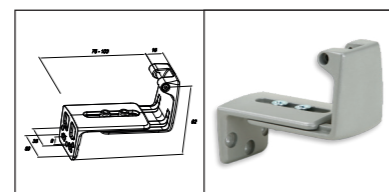
Short slim bracket kit
GREY RAL 9006 part no. 41901I
BLACK RAL 9005 part no. 41902J
WHITE RAL 9010 part no. 41903K



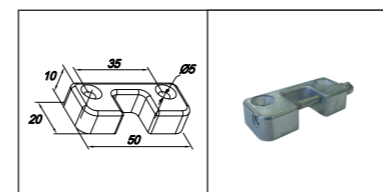
Die-cast bracket kit
GREY RAL 9006 part no. 40843F
BLACK RAL 9005 part no. 40844G
WHITE RAL 9010 part no. 40845H



Long bracket kit
GREY RAL 9006 part no. 40941H
BLACK RAL 9005 part no. 40942I
WHITE RAL 9010 part no. 40943J



Aluminum adjustable "Z" bracket for bottom hinged windows
GREY part no. 41709Z
BLACK part no. 41710A
WHITE part no. 41711B



Flat connector (alternative)
GREY part no. 42085K

Installation examples

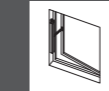
Outward



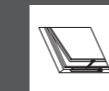
Top hinged windows



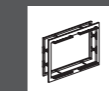
Top hinged windows, two Synchro actuators



Side hinged windows

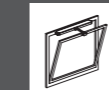


Roof windows

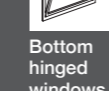


Parallel windows

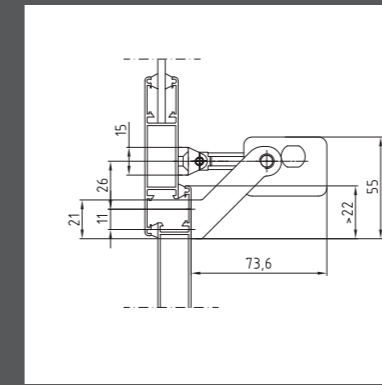
Inward



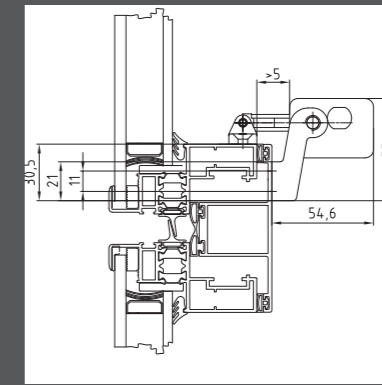
Bottom hinged windows



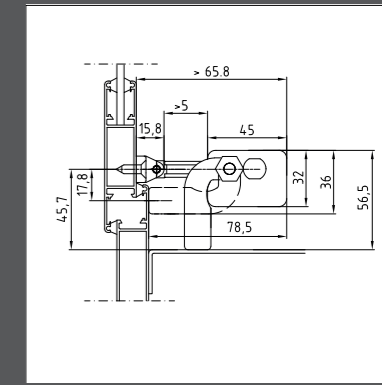
Side hinged windows



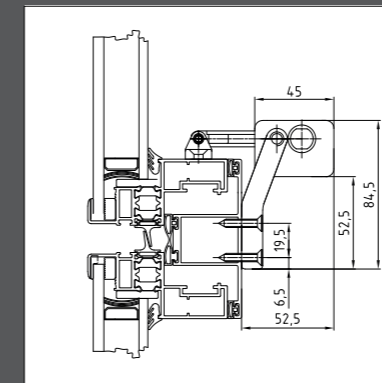
Front installation with long slim bracket



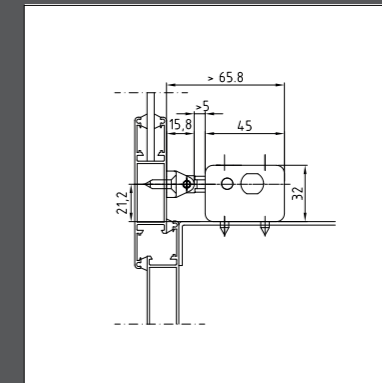
Concealed vent with short slim bracket



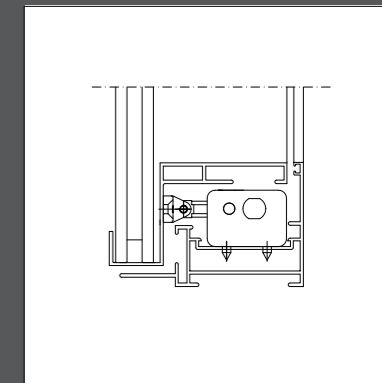
With or without windowsill, with die-cast bracket



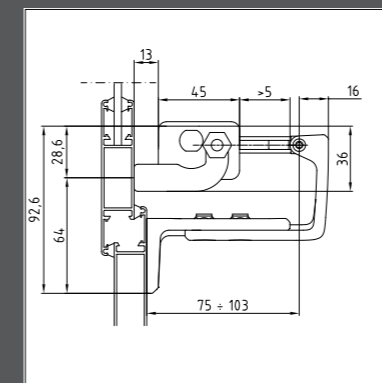
With long bracket kit



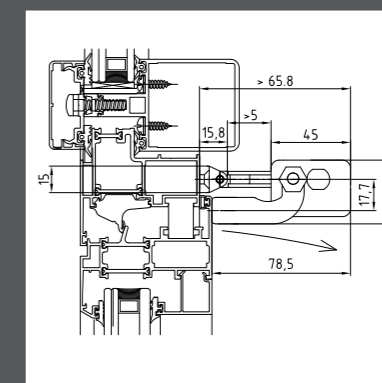
On windows with windowsill



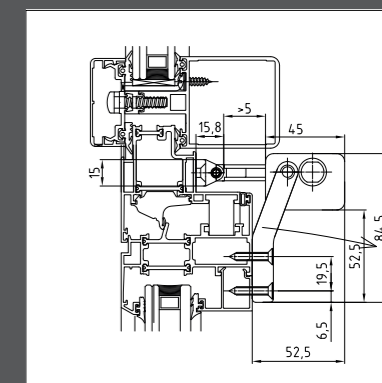
Inside a curtain wall frame



On the frame with adjustable "Z" bracket



On the vent with die-cast bracket

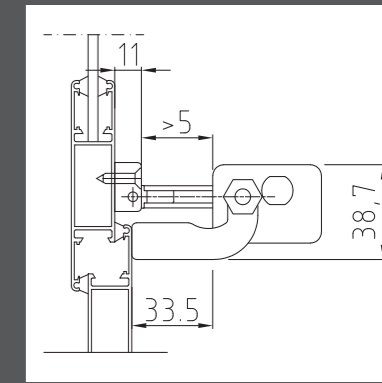


On the vent with long bracket kit

⚠ The instructions for a safe installation are included in the section "SECURITY WARNINGS"

SPECIFICATION PROSPECTS

Electric chain actuator Ultraflex Control Systems named Vega with chain in double stainless steel links. Voltage supply: from 100 to 240 Vac or 24 Vdc – Electronic limit stop; electronic stop in the intermediate positions in case of overload. Casing in painted die-cast aluminium with very small section (45x32 mm). Electric chain actuator Ultraflex Control Systems named Synchro-Vega with chain in double stainless steel links. Suitable for mounting more than one actuators (max 4 actuators) on the same vent. Voltage supply: 24 Vdc – Electronic limit stop; speed control; electronic stop in the intermediate positions in case of overload. Casing in painted die-cast aluminium with very small section (45x32 mm). It is conform to 2004/108/CE directive. When "free potential open/close feedback" is required, indicate suffix "F-SIGNAL"



On windowsill with flat connector