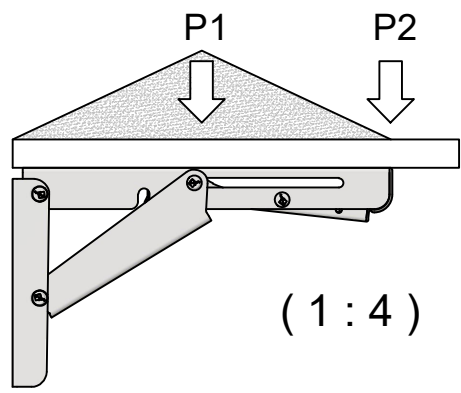


Hole for easier access to screw

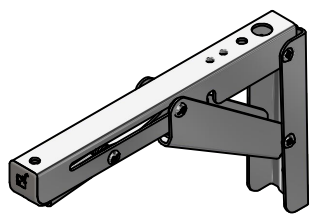
(1 : 1)

(1 : 4)

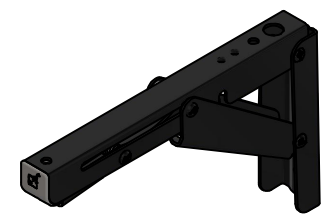


P1 = Evenly distributed load
P2 = Point load

Max load / Bracket		
P1 = kg	P2 = kg	Torque = Nm
175	88	170



947655 / EP



947656 / HBO black

(1 : 4)

