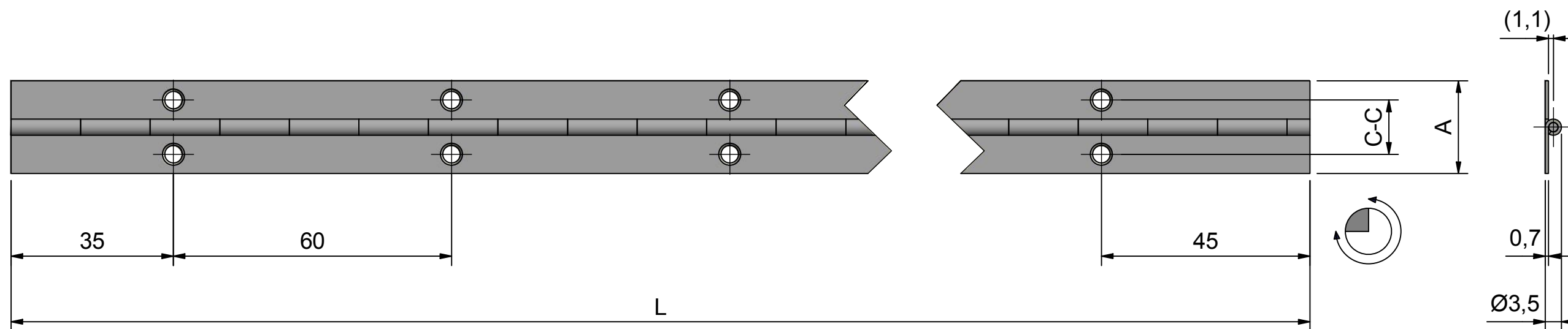
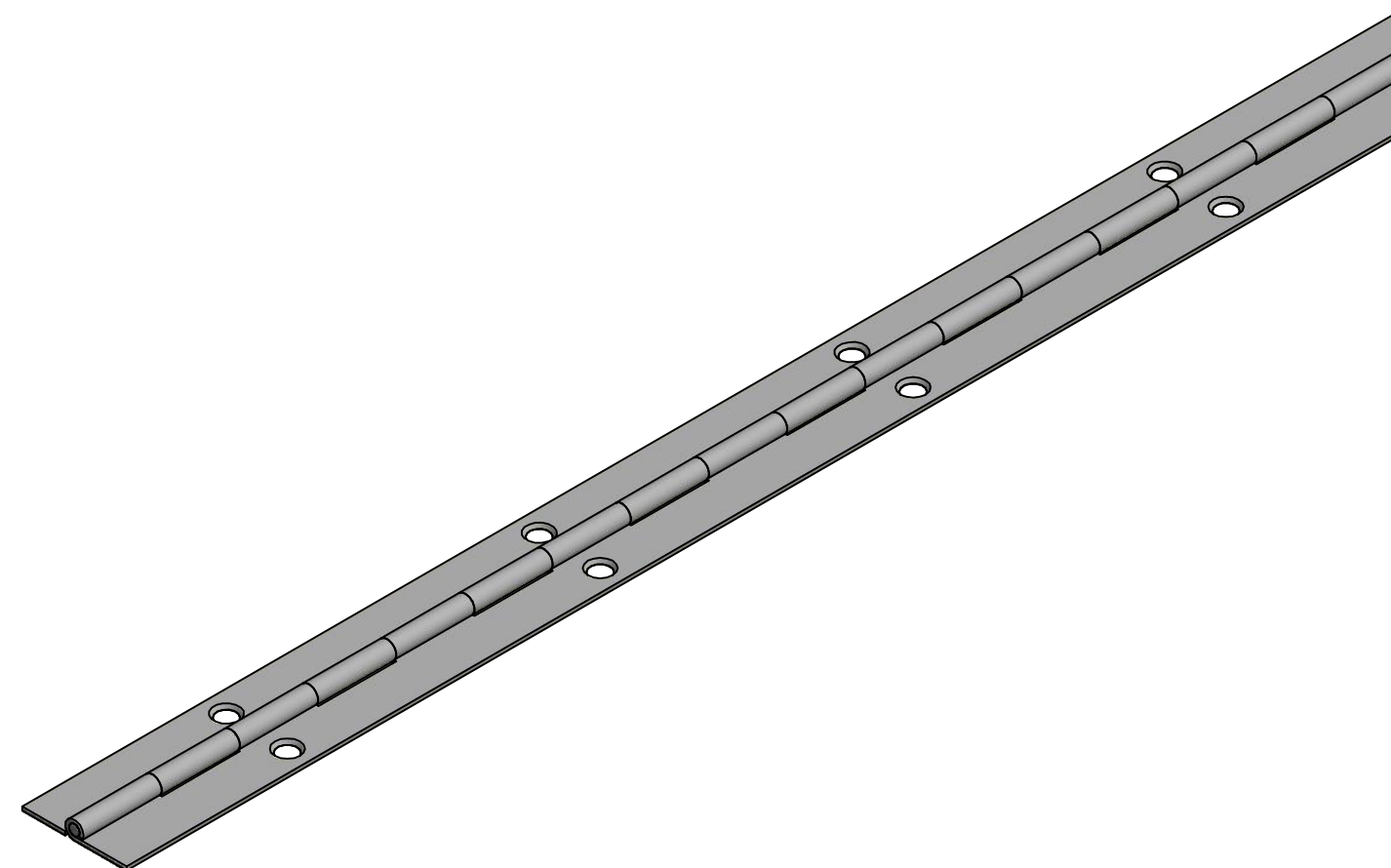


Table					
Item no.	Material	Treatment	L=mm	A=mm	C-C=mm
445401	Brass	Polished	2000	20	12
445421	AISI304	Polished	2000	20	12
445521	AISI304	Polished	1000	20	12
445412	Brass	Nickel plated	2000	25	17
445522	AISI304	Polished	1000	25	17
445422	AISI304	Polished	2000	25	17
445452	Steel	Nickel plated	2000	25	17
445403	Brass	Polished	2000	32	24
445523	AISI304	Polished	1000	32	24
445423	AISI304	Polished	2000	32 <td 24	
445404	Brass	Polished	2000	40	32
445424	AISI304	Polished	2000	40	32
445524	AISI304	Polished	1000	40	32



ROCA